



PIAGGIO & C.s.p.a.



## CATALOGUS RESERVEONDERDELEN



### **V7 Special - Stone 750 2012-2013**

Voorvoegsel frame: ZGULWG00, ZGULWE00, ZGULWU00

Voorvoegsel motor:



## Inhoudsopgave

Afgewerkte producten.....	4
Alfanumerieke inhoudsopgave.....	5
FRAME.....	11
Tafel 33.01 - Frame I.....	11
Tafel 33.02 - Frame II.....	12
Tafel 33.03 - Lateral stand.....	13
Tafel 33.04 - Front footrests.....	14
Tafel 33.05 - Rear footrests.....	15
Tafel 33.06 - Gear lever.....	16
Tafel 33.07 - Front fork I.....	17
Tafel 33.08 - Front fork II.....	18
Tafel 33.11 - Rear shock absorber.....	21
Tafel 33.12 - Fuel tank.....	22
Tafel 33.13 - Front body - Front mudguard.....	23
Tafel 33.14 - Saddle-Central bod.....	24
Tafel 33.15 - Rear body I- Mudguard.....	26
Tafel 33.16 - Rear body II- Plate holder.....	27
Tafel 33.17 - Dashboard.....	28
Tafel 33.18 - Handlebar - Controls.....	29
Tafel 33.19 - Front brake system.....	30
Tafel 33.21 - Fuel pump.....	31
Tafel 33.22 - Air box.....	32
Tafel 33.23 - Exhaust unit.....	34
Tafel 33.24 - Front wheel I.....	36
Tafel 33.25 - Rear wheel I.....	37
Tafel 33.26 - Rear master cylinder.....	38
Tafel 33.27 - Rear brake caliper.....	39
Tafel 33.28 - Front lights.....	40
Tafel 33.29 - Rear lights.....	42
Tafel 33.30 - Electrical system I.....	43
Tafel 33.31 - Electrical system II.....	44
Tafel 33.32 - Lock hardware kit.....	46
Tafel 33.33 - Decal and plate set.....	47
Tafel 33.34 - Front wheel II.....	49
Tafel 33.35 - Rear wheel II.....	50
Tafel 33.48 - Fuel vapour recover system.....	51
ENGINE.....	52
Tafel 34.09 - Transmission complete I.....	52
Tafel 34.10 - Transmission complete II.....	53
Tafel 34.34 - Crank-case.....	56
Tafel 34.35 - Timing system cover.....	57
Tafel 34.36 - Cylinder head.....	58
Tafel 34.37 - Crankshaft cpl.....	59



---

Tafel 34.38 - Timing system.....	60
Tafel 34.39 - Oil pump.....	62
Tafel 34.40 - Clutch I.....	63
Tafel 34.41 - Clutch II.....	64
Tafel 34.42 - Transmission cage.....	65
Tafel 34.43 - Gear box.....	66
Tafel 34.44 - Gear box selector.....	68
Tafel 34.45 - Generator - Regulator.....	69
Tafel 34.46 - Starter motor.....	70
Tafel 34.47 - Throttle body.....	71



## Afgewerkte producten

Code	Geldigheid
GU9032191AUC00	
GU9032191AUC01	
GU9032191AUC02	
GU9032191EUC00	
GU9032191EUC01	
GU9032191EUC02	
GU9032191GBC00	
GU9032191GBC01	
GU9032191GBC02	
GU9032192AUC00	
GU9032192AUC01	
GU9032192AUC02	
GU9032192EUC00	
GU9032192EUC01	
GU9032192EUC02	
GU9032192GBC00	
GU9032192GBC01	
GU9032192GBC02	



Code	N.Tafel	Pos.	Code	N.Tafel	Pos.	Code	N.Tafel	Pos.
080341	33.30	6	884346	33.33	18	887859	33.24	1
248419	33.26	19	886141	33.33	21	887861	33.25	1
254485	33.15	4	886340	33.33	1	887862	33.25	11
254485	33.22	14	88635200XB3	33.13		887873	33.32	1
254485	33.23	20	88635200XN2	33.13	1	887874	33.32	3
254485	33.28	20	88635200XN6	33.13	1	887877	33.29	1
254485	34.45	13	88635200XR7	33.13	1	887878	33.08	1
584211	33.31	10	886364	34.42	3	887879	33.08	2
638733	33.31	6	886670	34.37	21	887880	33.08	3
641040	33.30	8	886679	33.24	18	887881	33.08	40
641541	34.39	8	886679	33.34	6	887882	33.08	5
641725	33.30	7	886680	33.25	20	887883	33.08	6
641901	33.30	4	886680	33.35	8	887884	33.08	7
642034	33.30	3	887002	34.36	10	887885	33.08	8
828708	33.30	12	887003	34.35	2	887886	33.08	9
856063	33.48	14	887004	34.34	13	887887	33.08	10
860138	33.48	7	887005	34.42	10	887888	33.08	11
860651	34.09	19	887006	34.42	15	887889	33.08	12
874567	34.37	14	887044	34.45	10	887890	33.08	13
875173	34.47	5	887093	34.39	9	887891	33.08	14
880260	34.47	4	887194	33.17	1	887892	33.08	15
883011	34.09	11	887195	33.17	1	887893	33.08	16
883015	33.05	13	887196	34.44	8	887894	33.08	17
883019	33.05	12	887207	33.12	1	887895	33.08	18
883051	33.04	1	887213	34.42	1	887896	33.08	19
883052	33.04	2	887235	34.42	17	887898	33.08	21
883127	33.22	6	8872690001	34.37	10	887899	33.08	22
883161	33.31	11	8872690002	34.37	10	887900	33.08	23
883192	33.27	7	8872690003	34.37	10	887901	33.08	24
883266	33.13	2	8872724	34.36	1	887902	33.08	25
883293	33.23	15	8872754	34.36	2	887903	33.08	26
883294	33.23	4	887279	34.36	24	887904	33.08	27
883295	33.14	5	887431	33.27	3	887905	33.08	28
883297	33.23	13	887443	33.33	9	887906	33.08	39
883298	33.23	14	887448	33.25	12	887908	33.26	26
883303	33.19	13	887448	33.35	12	887910	33.26	1
883349	33.25	8	887449	33.27	1	887911	33.26	24
883350	33.25	7	887457	33.27	6	887912	33.08	30
883417	33.28	18	887481	33.30	12	887913	33.08	31
883470	33.16	6	887483	34.36	25	887914	33.08	32
883471	33.03	1	887523	34.36	9	887915	33.08	33
883476	33.32	3	887528	34.38	27	887916	33.08	34
883477	33.32	1	887571	33.34	1	887917	33.08	35
883478	33.29	5	887573	33.35	1	887918	33.08	36
883479	33.29	1	887768	33.21	1	887926	33.33	4
883480	33.16	9	887787	33.21	5	887928	33.33	5
883502	33.12	5	887812	34.47	14	887929	33.33	6
883569	33.17	11	887815	33.22	13	887930	33.33	2
883598	33.33	7	887822	33.18	15	887931	33.33	3
883688	33.24	10	887825	33.30	1	887933	33.33	5
883688	33.34	10	887825	33.31	1	887934	33.33	6
883704	33.23	25	887826	33.28	4	88793500Z1	33.12	1
883802	33.18	10	887826	33.29	4	88793600Z1	33.12	1
883826	34.34	18	887827	33.28	5	88793700XR7	33.14	10
883877	34.45	1	887827	33.29	5	88793800XR7	33.14	17
883878	34.45	2	887837	33.01	1	88793900A1	33.14	1
883941	33.18	3	8878421	33.22	1	88794000XN6	33.12	1
884031	34.42	6	887843	33.22	2	88794100XN6	33.12	1
884032	34.40	14	887844	33.22	11	88794200XN6	33.14	10
884035	33.11	1	887845	33.22	12	88794300XN6	33.14	17
884038	34.40	7	887846	33.23	1	887944	33.12	1
884039	34.35	8	887847	33.23	2	887948	33.30	13
884039	34.39	7	887851	33.06	1	887952	33.26	27
884136	33.23	11	887852	33.18	4	890760	33.22	16
884137	33.23	10	887853	33.18	5	890979	33.28	16
884344	33.33	20	887854	33.33	10	893570	33.31	19
884345	33.33	19	887858	33.24	5	894505	33.25	13



Code	N.Tafel	Pos.	Code	N.Tafel	Pos.	Code	N.Tafel	Pos.
894505	33.35	13	AP8104525	33.22	5	AP8150509	33.22	19
894704	33.31	26	AP8104924	33.22	4	AP8152220	33.02	11
895839	33.33	8	AP8113003	33.27	20	AP8152220	34.39	18
896110	33.23	21	AP8113241	33.26	22	AP8152268	33.16	12
898086	33.07	7	AP8113288	33.26	16	AP8152273	33.21	4
898164	33.11	3	AP8113553	33.26	23	AP8152277	33.04	7
967356	33.03	6	AP8120116	33.22	27	AP8152277	33.05	8
969973	34.36	26	AP8120246	34.09	10	AP8152277	33.19	3
976600	34.34	1	AP8120311	33.01	13	AP8152278	33.11	2
976603	34.35	1	AP8120416	33.30	18	AP8152278	33.15	3
976604	34.34	12	AP8120416	33.31	27	AP8152279	33.15	9
976608	34.10	1	AP8120416	33.48	11	AP8152281	34.45	12
976685	34.34	16	AP8120446	33.48	9	AP8152286	33.24	11
976941	34.09	1	AP8120455	33.22	9	AP8152286	33.34	11
976991	34.34	28	AP8120557	33.12	11	AP8152287	33.02	13
976992	34.42	21	AP8120615	33.22	10	AP8152288	33.02	15
97724R	33.07	1	AP8120772	33.22	20	AP8152288	33.27	9
977527	33.14	6	AP8120870	33.23	24	AP8152298	33.26	18
977527	33.32	4	AP8120876	33.22	8	AP8152298	34.47	6
978311	33.28	2	AP8120912	33.06	2	AP8152299	33.15	14
978323	33.19	15	AP8120912	33.26	2	AP8152299	33.27	22
978385	33.23	12	AP8121014	33.03	3	AP8152299	33.30	5
978415	33.14	8	AP8121032	33.15	13	AP8152299	33.48	5
978415	33.32	9	AP8121032	33.17	7	AP8152300	33.02	14
978570	33.18	10	AP8121072	33.23	22	AP8152300	33.27	13
978662	33.28	2	AP8121133	33.05	6	AP8152306	33.16	5
978931	33.14	1	AP8121267	33.48	10	AP8152329	33.15	11
978938	34.47	19	AP8121307	33.07	4	AP8152329	33.22	18
978939	34.47	20	AP8121367	33.02	10	AP8152339	33.14	14
978941	33.14	9	AP8121375	33.03	2	AP8152385	33.19	16
978942	33.14	11	AP8121420	33.14	7	AP8152409	33.04	9
978944	33.14	16	AP8121420	33.32	8	AP8152409	33.05	9
978946	33.15	1	AP8121607	33.03	2	AP8157100	33.33	13
97894600XB3	33.15	1	AP8121673	33.12	12	AP8181140	33.31	24
97894600XN2	33.15	1	AP8121915	33.19	14	AP8201358	33.22	3
97894600XN6	33.15	1	AP8121915	33.27	8	AP8201358	33.22	34
97894600XR7	33.15	1	AP8124718	33.16	7	AP8201358	33.48	13
978947	33.15	2	AP8124936	33.30	2	AP8213028	33.18	23
978949	33.16	1	AP8127856	33.03	8	AP8213057	33.26	15
978951	33.01	12	AP8133643	33.26	14	AP8213388	33.18	18
978952	33.01	16	AP8133798	33.27	2	AP8213575	33.27	23
978960	33.18	1	AP8133799	33.27	11	AP8220283	33.31	22
978969	33.26	3	AP8133800	33.27	12	AP8220460	33.07	6
978970	33.26	13	AP8134378	33.23	18	AP8220488	34.47	23
978972	33.08	30	AP8134448	33.16	2	AP8221023	33.22	26
978973	33.08	31	AP8134451	33.05	5	AP8221114	33.48	16
978974	33.08	19	AP8134829	33.04	8	AP8221197	33.03	5
978976	33.08	21	AP8134829	33.05	4	AP8221277	33.04	6
978977	33.08	29	AP8144007	33.26	4	AP8224164	33.16	3
978978	33.08	4	AP8144071	33.23	16	AP8224462	33.31	21
981070	34.40	8	AP8144071	34.36	23	AP8257609	33.33	16
981149	33.28	12	AP8144081	33.07	5	AP8257742	33.33	14
AP8101594	33.26	20	AP8144146	33.07	3	AP8257794	33.33	15
AP8101595	33.12	10	AP8144538	33.22	15	AP9150435	34.40	20
AP8101861	33.05	7	AP8144553	33.22	7	B043850	33.31	23
AP8102159	33.22	24	AP8144729	33.22	17	B045974	33.33	17
AP8102159	33.22	29	AP8145034	33.04	3	B063016	34.37	13
AP8102159	33.48	6	AP8145035	33.04	10	B063018	34.37	11
AP8102375	33.14	15	AP8149034	33.16	11	B063019	34.37	15
AP8102375	33.31	14	AP8150248	33.16	13	B063020	34.37	12
AP8102524	33.03	4	AP8150285	34.42	27	B063022	33.23	3
AP8102678	33.48	1	AP8150349	33.17	10	B063033	33.21	2
AP8102688	33.48	2	AP8150349	33.32	6	B063034	33.21	6
AP8102766	33.22	23	AP8150377	33.28	13	B063049	34.47	2
AP8102913	33.14	3	AP8150377	33.31	20	B063086	33.03	1
AP8104251	33.22	28	AP8150436	33.02	12	B063099	34.36	19
AP8104509	33.18	9	AP8150450	33.14	12	B063111	34.36	6



Code	N.Tafel	Pos.	Code	N.Tafel	Pos.	Code	N.Tafel	Pos.
B063120	33.33	4	GU03101900	33.12	3	GU14609650	33.30	18
B063121	33.33	5	GU03102200	33.12	6	GU14609650	33.31	27
B063122	33.33	6	GU03102400	33.12	2	GU14615901	33.05	15
B06312300Z2	33.12	1	GU03103200	33.12	8	GU14615901	33.13	5
B06312500XN2	33.14	10	GU03103500	33.12	4	GU14615901	34.09	20
B06312600XN2	33.14	17	GU03163330	33.31	3	GU14615901	34.37	5
B063132	33.04	13	GU03270300	33.26	11	GU14616150	33.24	15
B063135	33.18	6	GU03270300	33.27	10	GU14616150	33.25	10
B063144	33.24	3	GU03530529	33.08	2	GU14616150	33.34	7
B063167	33.15	12	GU03530530	33.08	1	GU14616150	33.35	10
B063197	33.02	1	GU03530551	33.08	12	GU18144350	34.39	16
B063198	33.02	2	GU03604845	33.19	8	GU18161150	34.39	21
B063213	33.22	30	GU03605645	33.19	9	GU18257551	33.26	8
B063214	33.22	21	GU03609600	33.18	14	GU19002020	34.35	5
B063233	33.31	5	GU03612040	33.24	16	GU19002020	34.42	16
B063252	33.33	10	GU03617710	33.34	5	GU19003800	34.34	8
B063269	34.42	11	GU03617710	33.35	6	GU19007700	34.35	10
B063287	33.01	4	GU03631250	33.24	4	GU19007700	34.45	8
B063342	34.42	20	GU03631250	33.25	9	GU19015020	34.34	5
B063429	33.14	18	GU03658201	33.27	16	GU19017000	33.02	4
B063431	33.14	19	GU03658330	33.27	17	GU19018920	34.39	10
B063443	33.26	28	GU03658430	33.27	14	GU19021360	34.36	18
B063465	34.37	19	GU03660145	33.19	1	GU19021920	34.36	7
B063466	34.37	16	GU03661145	33.19	6	GU19025280	33.23	5
B063735	33.28	14	GU03664045	33.19	7	GU19025460	33.23	6
B063735	33.29	6	GU03740930	33.29	2	GU19027500	34.38	15
B063749	33.11	1	GU03749845	33.19	5	GU19030500	34.38	7
B063800	33.28	4	GU03922280	34.09	23	GU19032080	34.38	10
B063801	33.28	5	GU03995730	33.33	12	GU19032980	34.36	17
B063840	34.47	21	GU04000500	34.34	10	GU19032980	34.38	14
B063853	34.47	22	GU05107430	33.21	3	GU19034000	34.38	8
B063854	33.23	1	GU05659230	33.19	10	GU19037820	34.36	8
B063855	33.23	2	GU05730730	34.46	1	GU19045861	34.38	25
CM001928	33.07	8	GU05781630	33.16	14	GU19055700	34.38	23
CM001929	33.07	9	GU05900130	33.33	11	GU19058021	34.38	19
CM007423	33.30	9	GU06740200	33.28	12	GU19058220	34.38	20
CM0074C9	33.30	10	GU06740400	33.28	17	GU19062261	34.37	4
CM013202	33.31	25	GU06740401	33.28	17	GU19065400	34.37	2
CM225705	33.31	15	GU06740500	33.28	2	GU19067700	34.37	18
CM225710	33.31	16	GU06740501	33.28	2	GU19083462	34.40	2
CM225715	33.31	17	GU06917300	33.33	1	GU19146422	34.39	1
CM225730	33.31	18	GU06917400	33.33	2	GU19152200	34.39	11
CM228301	34.47	1	GU10054100	34.43	12	GU19202320	34.42	9
CM228302	34.47	1	GU10214300	34.43	27	GU19203460	34.40	11
GU00823923140	33.03	7	GU10214301	34.43	27	GU19206501	34.10	10
GU00823923140	33.22	32	GU10214302	34.43	27	GU19212900	34.43	15
GU00823923140	33.48	12	GU10214303	34.43	27	GU19213720	34.43	17
GU00823931055	33.28	19	GU10214304	34.43	27	GU19213760	34.41	15
GU00823931070	33.12	14	GU10214305	34.43	27	GU19214660	34.43	11
GU00823944050	33.12	13	GU10528900	34.34	15	GU19215460	34.43	3
GU00823950050	33.26	21	GU10528900	34.40	13	GU19234600	34.44	2
GU01528930	34.10	9	GU10528900	34.42	23	GU19237800	34.42	13
GU01530568	33.08	6	GU12003702	34.34	20	GU19327601	34.09	5
GU01530571	33.08	9	GU12022600	34.10	6	GU19328801	34.09	3
GU01609630	33.18	14	GU12022600	34.42	24	GU19350700	34.10	22
GU01654630	33.19	17	GU12087001	34.41	9	GU19351100	34.10	4
GU01659130	33.19	11	GU12154200	34.34	23	GU19351900	34.10	2
GU01659131	33.19	12	GU12154200	34.42	12	GU19352300	34.10	23
GU01665410	33.26	25	GU13021900	34.34	26	GU19353500	34.10	24
GU01721600	33.30	14	GU13021900	34.36	12	GU19355200	34.10	35
GU02717450	33.30	11	GU14086000	34.41	10	GU19355202	34.10	36
GU03013800	33.06	7	GU14086100	34.41	7	GU19355300	34.10	33
GU03013800	33.23	8	GU14090201	34.41	1	GU19355301	34.10	33
GU03013800	34.47	10	GU14090400	34.41	2	GU19355302	34.10	33
GU03067730	34.10	19	GU14217901	34.40	6	GU19355303	34.10	33
GU03101600	33.12	7	GU14217901	34.42	7	GU19355304	34.10	33
GU03101720	33.12	5	GU14217901	34.44	17	GU19355305	34.10	33





Code	N.Tafel	Pos.	Code	N.Tafel	Pos.	Code	N.Tafel	Pos.
GU19355306	34.10	33	GU28612033	33.25	18	GU32214010	34.43	24
GU19355307	34.10	33	GU29217960	34.45	7	GU32214510	34.43	20
GU19355308	34.10	33	GU29711460	34.45	5	GU32214810	34.43	21
GU19355309	34.10	33	GU29711960	34.45	11	GU32215010	34.43	22
GU19355320	34.10	27	GU29729461	33.31	2	GU32215210	34.43	23
GU19355321	34.10	27	GU29759150	33.18	17	GU32231010	34.44	5
GU19355322	34.10	27	GU30512830	33.08	23	GU32231210	34.44	4
GU19355323	34.10	27	GU30525861	33.08	11	GU32233010	34.44	6
GU19355324	34.10	27	GU30526761	33.08	5	GU32234110	34.44	13
GU19355325	34.10	27	GU30577800	33.29	13	GU32234410	34.44	1
GU19355326	34.10	27	GU30577800	34.47	17	GU32234710	34.44	11
GU19355327	34.10	27	GU30601060	33.18	13	GU32234810	34.44	12
GU19355328	34.10	27	GU30602500	33.18	22	GU32234910	34.44	16
GU19355329	34.10	27	GU30630430	33.25	19	GU32235710	34.44	14
GU19355400	34.10	21	GU30714201	34.45	3	GU32238210	34.44	10
GU19355402	34.10	21	GU31003766	34.10	8	GU32256910	33.06	4
GU19355404	34.10	21	GU31003766	34.34	14	GU32257810	33.06	8
GU19355406	34.10	21	GU31003766	34.40	19	GU32350410	34.10	13
GU19355408	34.10	21	GU31003766	34.42	26	GU32351410	34.10	16
GU19355410	34.10	21	GU31016050	34.39	20	GU32354610	34.10	18
GU19355411	34.10	21	GU31037015	34.38	13	GU32431310	33.02	9
GU19355412	34.10	21	GU31038015	34.38	5	GU32432711	33.03	11
GU19355413	34.10	21	GU31045015	34.38	26	GU32433011	33.03	6
GU19356700	34.10	30	GU31112965	33.22	33	GU32434460	33.13	1
GU19356760	34.41	16	GU31121880	33.23	9	GU32439260	33.48	3
GU19356801	34.10	28	GU31150950	34.39	26	GU32441210	33.04	5
GU19357660	34.10	25	GU31159050	34.39	15	GU32441210	33.05	3
GU19547000	34.09	12	GU31327783	34.09	2	GU32442310	33.05	1
GU20036020	34.38	1	GU31439565	33.13	4	GU32442710	33.05	10
GU20036120	34.38	2	GU31504583	33.08	17	GU32443210	33.04	4
GU20085720	34.41	13	GU31513480	33.08	20	GU32443210	33.05	2
GU20147710	34.39	17	GU31544181	34.09	15	GU32443211	33.04	11
GU20147810	34.39	3	GU31547882	34.09	14	GU32443211	33.05	11
GU20148410	34.39	4	GU31610160	33.24	17	GU32457810	33.01	11
GU20148610	34.39	5	GU31614183	33.24	9	GU32461610	33.14	2
GU20208520	34.44	9	GU31614183	33.34	9	GU32461610	33.14	2
GU20258221	33.06	9	GU31615283	33.24	6	GU32504210	33.08	35
GU20352421	34.10	31	GU31615283	33.34	2	GU32506360	33.28	1
GU20355121	34.10	34	GU31616384	33.24	12	GU32517710	33.31	8
GU23204471	34.40	21	GU31616384	33.34	12	GU32525410	33.08	10
GU23204571	34.40	22	GU31634281	33.27	4	GU32526310	33.08	16
GU23211372	34.43	8	GU31634481	33.25	15	GU32526610	33.08	15
GU23217800	34.38	3	GU31634481	33.35	15	GU32530501	33.08	8
GU23328081	34.09	7	GU31712365	34.45	9	GU32530502	33.08	13
GU23548080	34.09	8	GU31740383	33.28	11	GU32530503	33.08	14
GU23548180	34.09	9	GU32001610	34.35	6	GU32530504	33.08	28
GU23922210	33.17	12	GU32032310	34.38	11	GU32530505	33.08	34
GU23943410	33.08	36	GU32053410	34.38	16	GU32530506	33.08	24
GU27001136	34.35	7	GU32054510	34.38	17	GU32530610	33.08	37
GU27037521	34.38	4	GU320642104	34.37	1	GU32530611	33.08	38
GU27061585	34.37	3	GU32067910	34.40	5	GU32555210	33.11	4
GU27061885	34.37	17	GU32080310	34.40	1	GU32555211	33.11	5
GU27062060	34.37	6	GU32084410	34.40	4	GU32602860	33.18	9
GU27065660	34.37	7	GU32115010	34.47	3	GU32603010	33.18	16
GU27066460	34.37	9	GU32115011	34.47	8	GU32603310	33.18	7
GU27066560	34.37	8	GU32115510	34.47	7	GU32605510	33.18	2
GU27152885	34.34	22	GU32121010	33.23	7	GU32613160	33.24	2
GU27153085	34.39	14	GU32202010	34.43	28	GU32615660	33.24	14
GU27210760	34.41	12	GU32206510	34.42	22	GU32615660	33.34	8
GU27530505	33.08	26	GU32208210	34.42	8	GU32632510	33.25	17
GU27530506	33.08	27	GU32210510	34.43	1	GU32632510	33.35	9
GU27530510	33.08	22	GU32211110	34.43	9	GU32633360	33.25	14
GU27530584	33.08	7	GU32211410	34.43	6	GU32633360	33.35	14
GU27633910	33.25	4	GU32211810	34.43	5	GU32633560	34.10	11
GU27633910	33.35	4	GU32212011	34.43	2	GU32634160	33.27	5
GU28157950	33.48	8	GU32213610	34.43	14	GU32636160	33.25	21
GU28252060	33.02	8	GU32213810	34.42	5	GU32636160	33.35	7



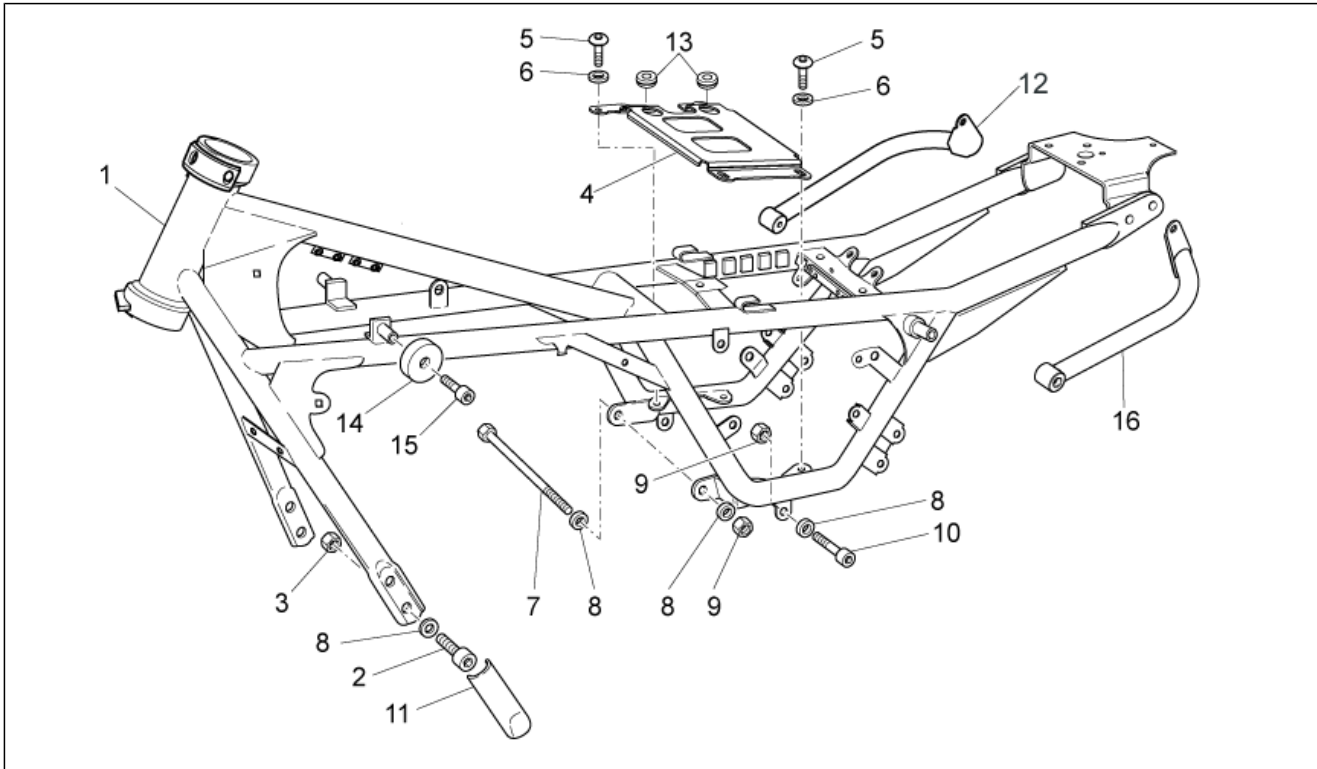


Code	N.Tafel	Pos.	Code	N.Tafel	Pos.	Code	N.Tafel	Pos.
GU32657110	33.19	2	GU91181039	33.08	25	GU93450232	33.28	10
GU32692260	33.25	2	GU91551010	33.22	25	GU94321079	34.39	24
GU32735510	33.32	5	GU91551086	33.14	13	GU94321099	34.09	6
GU32735511	33.32	5	GU92201070	34.10	14	GU94321105	34.41	4
GU32747910	33.31	9	GU92201220	34.43	16	GU95004210	33.31	4
GU32750661	33.29	4	GU92201225	34.40	10	GU95005306	33.17	3
GU32753410	33.28	3	GU92204215	34.42	2	GU95005308	33.28	23
GU32753410	33.29	8	GU92204217	33.25	5	GU95005308	34.09	22
GU32753711	33.29	6	GU92204217	33.35	5	GU95005310	33.15	7
GU32781910	33.16	10	GU92204218	33.25	3	GU95005310	33.26	5
GU32782510	33.17	8	GU92204218	33.35	3	GU95005311	33.26	9
GU32782510	33.32	2	GU92204221	33.24	7	GU95005311	33.48	4
GU32999010	34.34	25	GU92204221	33.34	3	GU95008205	33.30	16
GU32999510	34.34	24	GU92218417	34.43	10	GU95008206	34.39	23
GU35214300	34.09	13	GU92230320	34.43	13	GU95008208	33.01	6
GU39238100	34.43	25	GU92234716	34.43	26	GU95008208	34.46	3
GU49609601	33.30	18	GU92249220	34.10	32	GU95008210	33.01	8
GU49609601	33.31	27	GU92249225	33.07	2	GU95008210	33.02	6
GU53429500	33.02	3	GU92249227	34.10	20	GU95008210	34.09	17
GU61027200	34.37	20	GU92251028	34.43	7	GU95008305	33.18	20
GU61036801	34.36	3	GU92252210	34.39	2	GU95008306	33.19	20
GU61038100	34.38	6	GU92252235	34.10	5	GU95008306	33.27	21
GU61054900	34.38	18	GU92296723	34.39	6	GU95020105	33.03	10
GU61270300	34.10	26	GU92602406	34.38	9	GU95021104	33.19	19
GU61270300	34.34	6	GU92602510	34.39	19	GU95021105	33.18	21
GU61270300	34.36	21	GU92603010	34.36	11	GU95021206	33.17	5
GU61270300	34.40	17	GU92606206	33.17	6	GU95021206	33.28	8
GU66103415	33.01	14	GU92606208	34.34	7	GU95021206	33.29	10
GU66530505	33.08	32	GU92606208	34.40	18	GU95100059	33.31	13
GU90271018	34.38	12	GU92606210	33.01	9	GU95100116	34.47	12
GU90271117	34.43	29	GU92606210	33.02	5	GU95100125	34.45	14
GU90271121	34.43	19	GU92606210	33.11	7	GU95100244	34.38	29
GU90271124	34.43	4	GU92606210	34.09	18	GU95100309	34.39	27
GU90272023	34.09	4	GU92606316	33.25	16	GU95100602	34.39	25
GU90272075	34.40	3	GU92606316	33.35	11	GU95100709	34.34	21
GU90274026	34.44	3	GU92606508	34.41	3	GU95129115	34.38	22
GU90353009	34.36	4	GU92606512	34.42	14	GU95129180	34.34	27
GU90353029	34.38	24	GU92606516	34.45	4	GU95129180	34.36	13
GU90353030	34.10	17	GU92609007	33.26	12	GU95129181	33.11	6
GU90400616	34.41	11	GU92630104	33.27	19	GU95129260	33.06	3
GU90402538	33.25	6	GU92630204	33.16	8	GU95187006	34.39	13
GU90402538	33.35	2	GU92630206	33.26	6	GU95500221	33.26	10
GU90402642	33.24	8	GU92630510	33.01	3	GU95500222	34.41	6
GU90402642	33.34	4	GU92630707	33.06	5	GU95780271	34.41	5
GU90402842	34.35	9	GU92640508	33.23	19	GU96451316	33.27	15
GU90403251	34.10	38	GU92640708	33.15	8	GU96451430	34.34	3
GU90403549	34.10	3	GU92660021	33.26	7	GU96451560	34.34	2
GU90407591	34.10	15	GU92787006	33.28	6	GU96506042	34.36	5
GU90706076	34.34	9	GU92787006	33.29	11	GU96508055	34.10	12
GU90706111	34.39	22	GU93180105	34.09	21	GU96508055	34.34	4
GU90706140	34.42	4	GU93180111	33.24	13	GU96508145	34.36	20
GU90706141	33.30	17	GU93180111	33.34	13	GU96510181	34.36	15
GU90706170	34.41	8	GU93180220	34.40	9	GU96510214	34.36	14
GU90706188	34.10	29	GU93180245	34.36	22	GU97202325	33.18	12
GU90706188	34.43	18	GU93222023	33.17	4	GU98052560	33.08	33
GU90706203	34.10	7	GU93231605	33.29	14	GU98054422	34.38	28
GU90706203	34.42	25	GU93231605	34.47	16	GU98082565	33.02	7
GU90706235	34.41	14	GU93301175	33.23	26	GU98084314	34.39	12
GU90706281	34.34	19	GU93301313	33.48	15	GU98084314	34.40	12
GU90706444	34.34	17	GU93305057	34.47	13	GU98110199	33.01	7
GU90706584	34.10	37	GU93305061	33.22	22	GU98210612	33.23	27
GU90714082	33.22	31	GU93305061	34.47	15	GU98230510	33.16	4
GU91113826	33.23	23	GU93450105	33.28	9	GU98230510	33.18	19
GU91120806	33.15	6	GU93450126	33.28	15	GU98230612	34.44	7
GU91180601	33.15	10	GU93450126	33.29	7	GU98257410	33.27	18
GU91181003	33.18	11	GU93450127	33.29	7	GU98257618	34.44	15
GU91181003	33.19	18	GU93450224	33.29	3	GU98310609	34.47	11



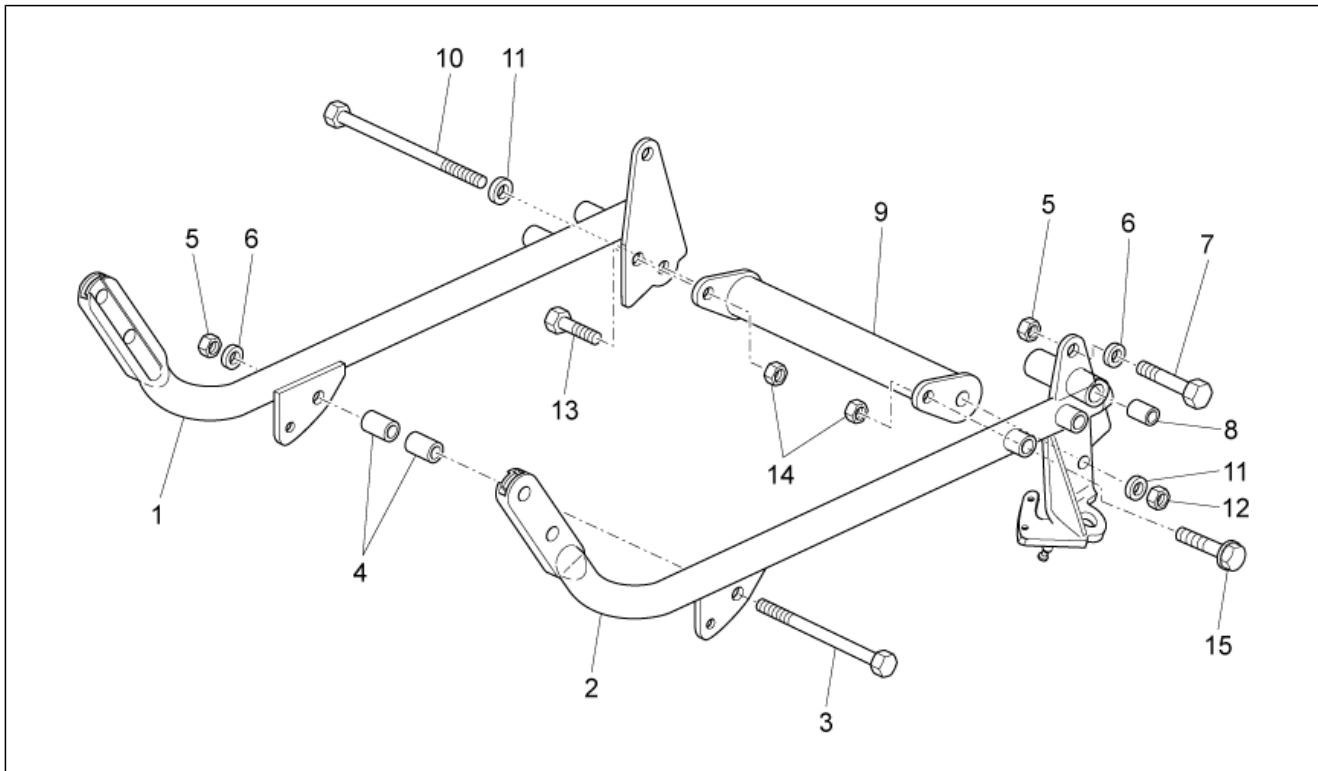
Code	N.Tafel	Pos.
GU98350215	33.29	12
GU98350416	33.01	5
GU98370412	33.19	4
GU98370515	34.47	18
GU98370609	33.17	2
GU98370616	33.31	7
GU98370625	33.14	4
GU98370625	33.26	17
GU98370655	33.28	7
GU98370655	33.29	9
GU98370831	33.15	5
GU98370831	33.28	22
GU98370845	33.13	3
GU98612216	33.03	9
GU98620330	33.08	3
GU98620540	33.08	18
GU98632322	33.06	6
GU98680265	34.45	6
GU98680435	34.40	15
GU98680435	34.42	19
GU98680440	33.23	17
GU98680450	34.40	16
GU98680545	34.09	16
GU98680555	33.01	10
GU98682212	33.30	15
GU98682212	33.31	12
GU98682322	34.47	9
GU98682325	34.34	11
GU98682325	34.35	3
GU98682330	34.35	4
GU98682330	34.42	18
GU98682414	33.01	15
GU98682416	33.04	12
GU98682416	33.05	14
GU98682416	33.17	9
GU98682416	33.32	7
GU98682430	33.12	9
GU98682435	34.46	2
GU98682530	33.01	2
GU98690335	33.11	8
GU98690335	33.18	8
GU98692325	34.36	16
GU98880540	33.28	21
GU98882316	34.38	21

<b>Groep</b>	FRAME
<b>Code</b>	33.01
<b>Beschrijving</b>	Frame l
<b>Revisie</b>	1



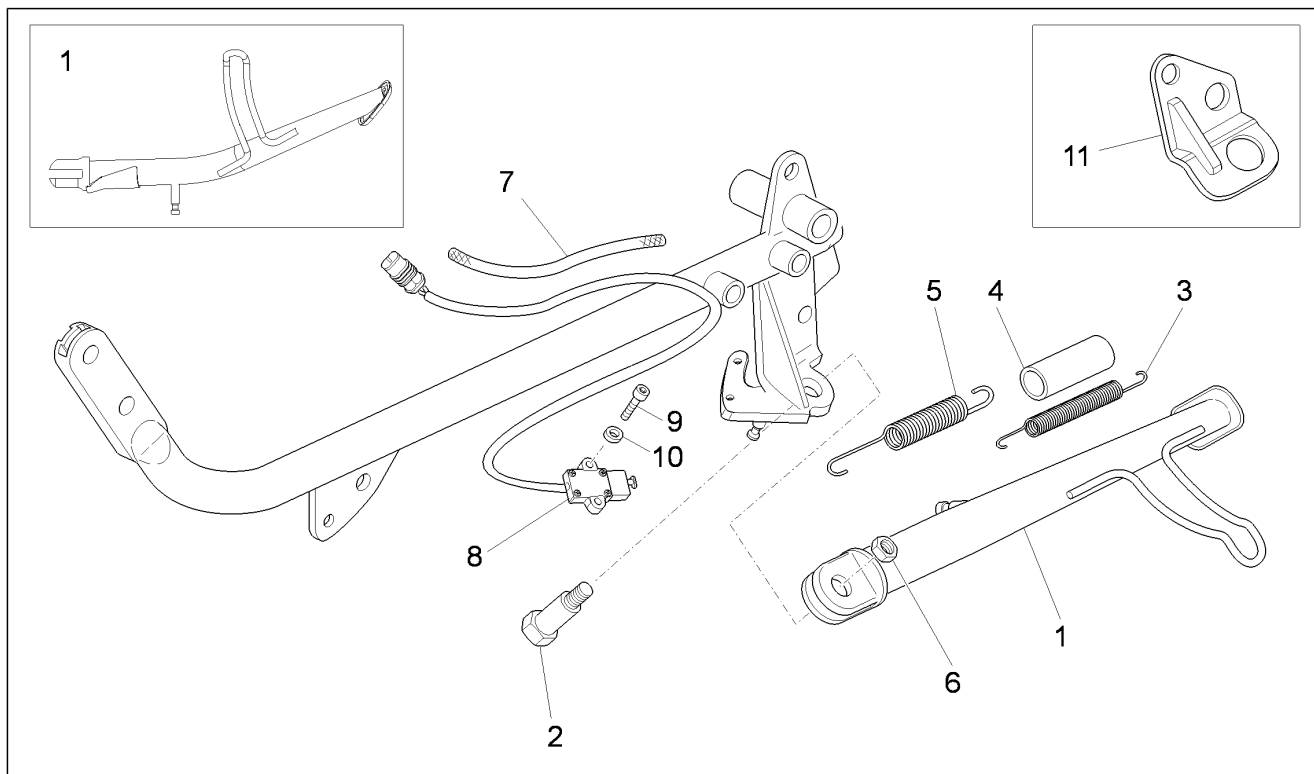
Pos.	Code	Beschrijving	Aant.	Varianten
1	887837	Frame v.	1	
2	GU98682530	Binnenzeskantbout M10x30	4	
3	GU92630510	Moer M10x1,5	4	
4	B063287	Piastra unione telaio	1	
5	GU98350416	Bolbout met binnenzeskant M8x16	4	
6	GU95008208	Sluitring 8,4X15X1,5	4	
7	GU98110199	Pin M10x205	1	
8	GU95008210	Sluitring 10,2X18X2	11	
9	GU92606210	Moer M10x1,5	3	
10	GU98680555	Bout M10x55	2	
11	GU32457810	Bescherming	2	
12	978951	Handgreep re	1	
13	AP8120311	Rubbetje *	2	
14	GU66103415	Rubbetje	2	
15	GU98682414	Binnenzeskantbout	2	
16	978952	Handgreep li	1	

<b>Groep</b>	FRAME
<b>Code</b>	33.02
<b>Beschrijving</b>	Frame II
<b>Revisie</b>	1



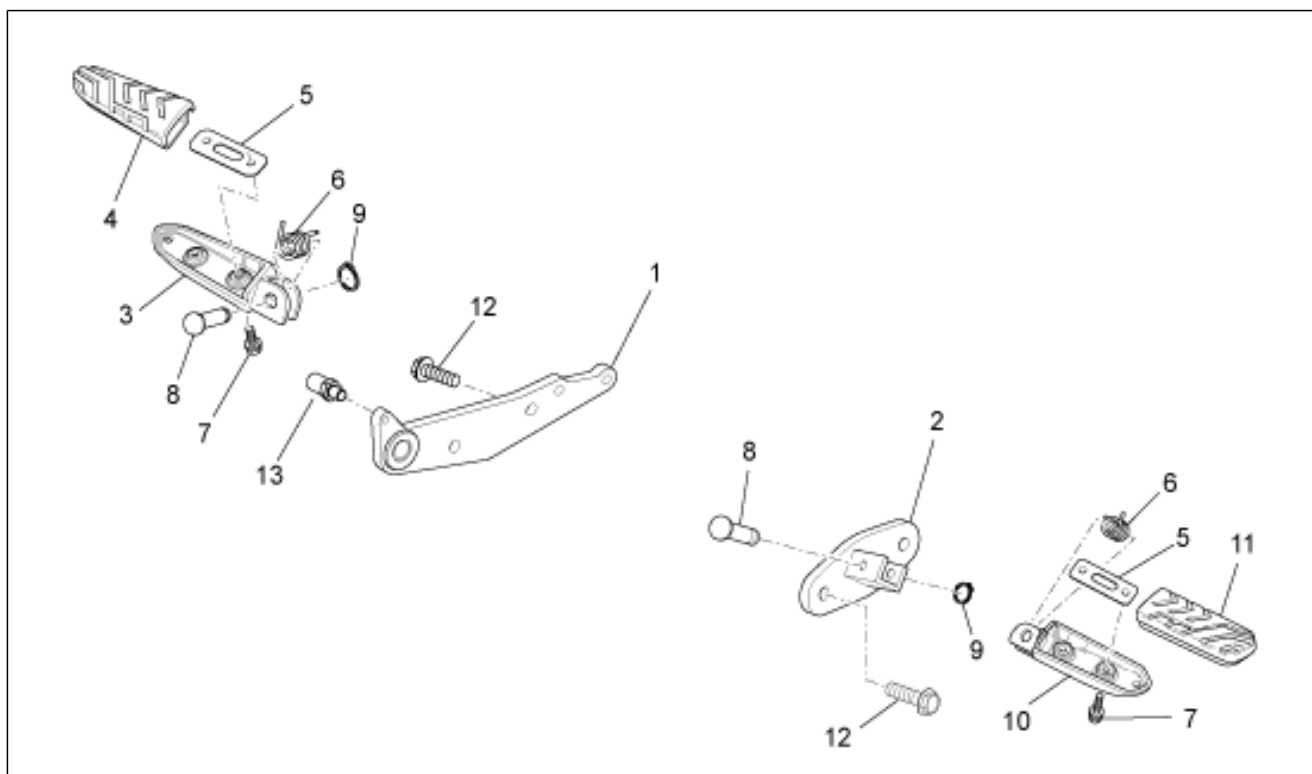
Pos.	Code	Beschrijving	Aant.	Varianten
1	B063197	Steun re	1	
2	B063198	Steun li	1	
3	GU53429500	Pin M10x250	1	
4	GU19017000	Beslagring	2	
5	GU92606210	Moer M10x1,5	3	
6	GU95008210	Sluitring 10,2X18X2	3	
7	GU98082565	Bout M10x65	2	
8	GU28252060	Huls 18 mm est.	2	
9	GU32431310	Balk armen steun	1	
10	AP8121367	Pin M10x260	1	
11	AP8152220	Gekart. sluitring	2	
12	AP8150436	Zelfborg. moer laag	1	
13	AP8152287	Zeskantbout geflenst M8x25	1	
14	AP8152300	Zelfborg.bout gefl. M8	1	
15	AP8152288	Zeskantbout geflenst	1	

<b>Groep</b>	FRAME
<b>Code</b>	33.03
<b>Beschrijving</b>	Lateral stand
<b>Revisie</b>	1



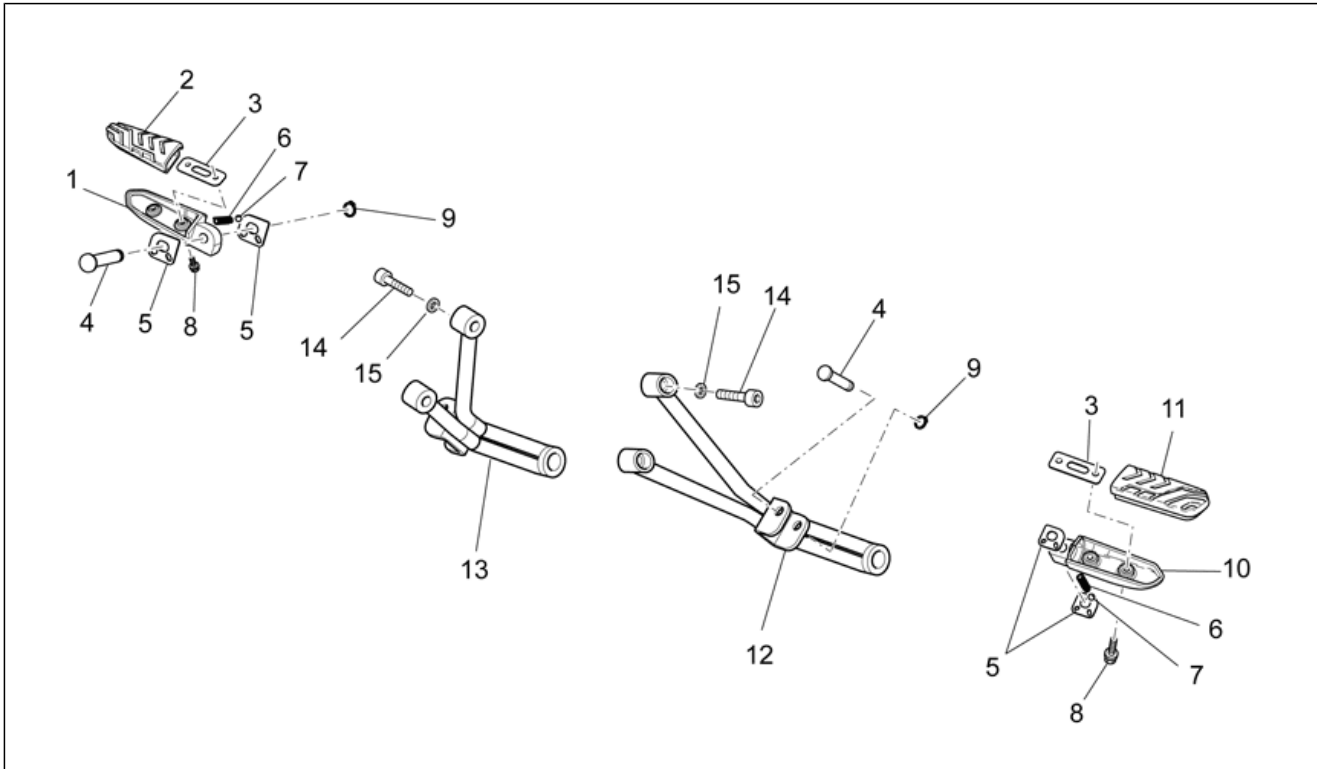
Pos.	Code	Beschrijving	Aant.	Varianten
1	883471	Zijstandaard zwart	1	LAND:Canadian[CDN], United States of America[USA]
1	B063086	Laterale standaard	1	LAND:Australia[AUS], europa[EU]
2	AP8121375	Bout standaard	1	LAND:Australia[AUS], europa[EU]
2	AP8121607	Bout standaard	1	LAND:Canadian[CDN], United States of America[USA]
3	AP8121014	Spiraalveer cilind.aandr. *	1	
4	AP8102524	Bescherming veer standaard	1	
5	AP8221197	Trekveer standaard	1	
6	967356	Moer geflenst M10x1,25	1	LAND:Australia[AUS], europa[EU]
6	GU32433011	Moer	1	LAND:Canadian[CDN], United States of America[USA]
7	GU00823923140	Thermische gaine	1	
8	AP8127856	Schakelaar standaard	1	
9	GU98612216	Binnenzeskantbout	2	
10	GU95020105	Sluitring 5,3x8,9x2,4	2	
11	GU32432711	Plaat	1	LAND:Canadian[CDN], United States of America[USA]

<b>Groep</b>	FRAME
<b>Code</b>	33.04
<b>Beschrijving</b>	Front footrests
<b>Revisie</b>	1



Pos.	Code	Beschrijving	Aant.	Varianten
1	883051	Steun voetenst. re	1	
2	883052	Steun voetenst. li	1	
3	AP8145034	Voetensteun bestuurder re	1	
4	GU32443210	Rubber	1	
5	GU32441210	Plaatje	2	
6	AP8221277	Trekveer voetensteun	2	
7	AP8152277	Zeskantbout geflenst M6x12	4	
8	AP8134829	Pin voetensteun	2	
9	AP8152409	Blokkeerring radiaal	2	
10	AP8145035	Voetensteun bestuurder li	1	
11	GU32443211	Rubber	1	
12	GU98682416	Binnenzeskantbout M8x16	4	
13	B063132	Limit stop	1	

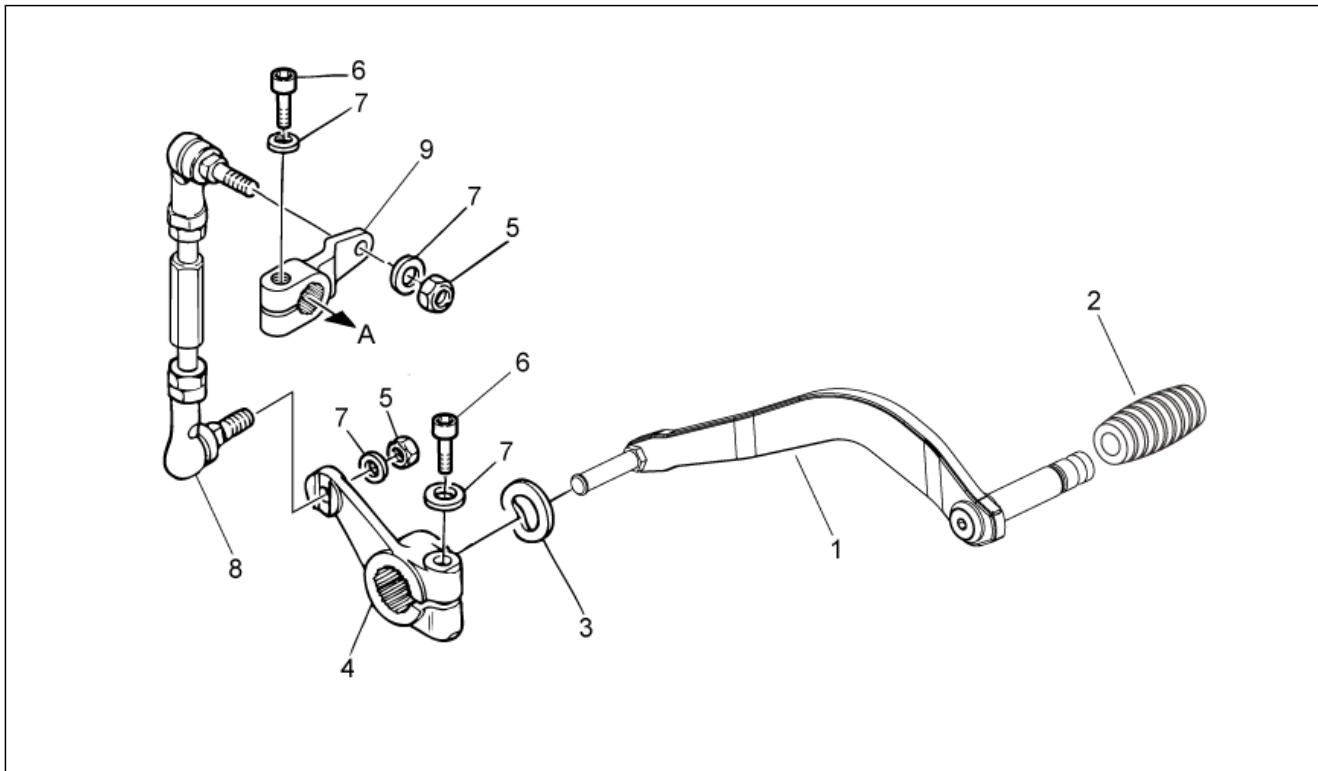
<b>Groep</b>	FRAME
<b>Code</b>	33.05
<b>Beschrijving</b>	Rear footrests
<b>Revisie</b>	1



Pos.	Code	Beschrijving	Aant.	Varianten
1	GU32442310	Voetenst.pass. re	1	
2	GU32443210	Rubber	1	
3	GU32441210	Plaatje	2	
4	AP8134829	Pin voetensteun	2	
5	AP8134451	Plaat eindeloop voetensteun	4	
6	AP8121133	Spiraalveer cilind.compr.	2	
7	AP8101861	Bol D6,35	2	
8	AP8152277	Zeskantbout geflenst M6x12	4	
9	AP8152409	Blokkeerring radiaal	2	
10	GU32442710	Voetenst. pass.li	1	
11	GU32443211	Rubber	1	
12	883019	Steun voetenst. li	1	
13	883015	Steun voetenst. re	1	
14	GU98682416	Binnenzeskantbout M8x16	4	
15	GU14615901	Sluitring 8,4X13X0,8	4	

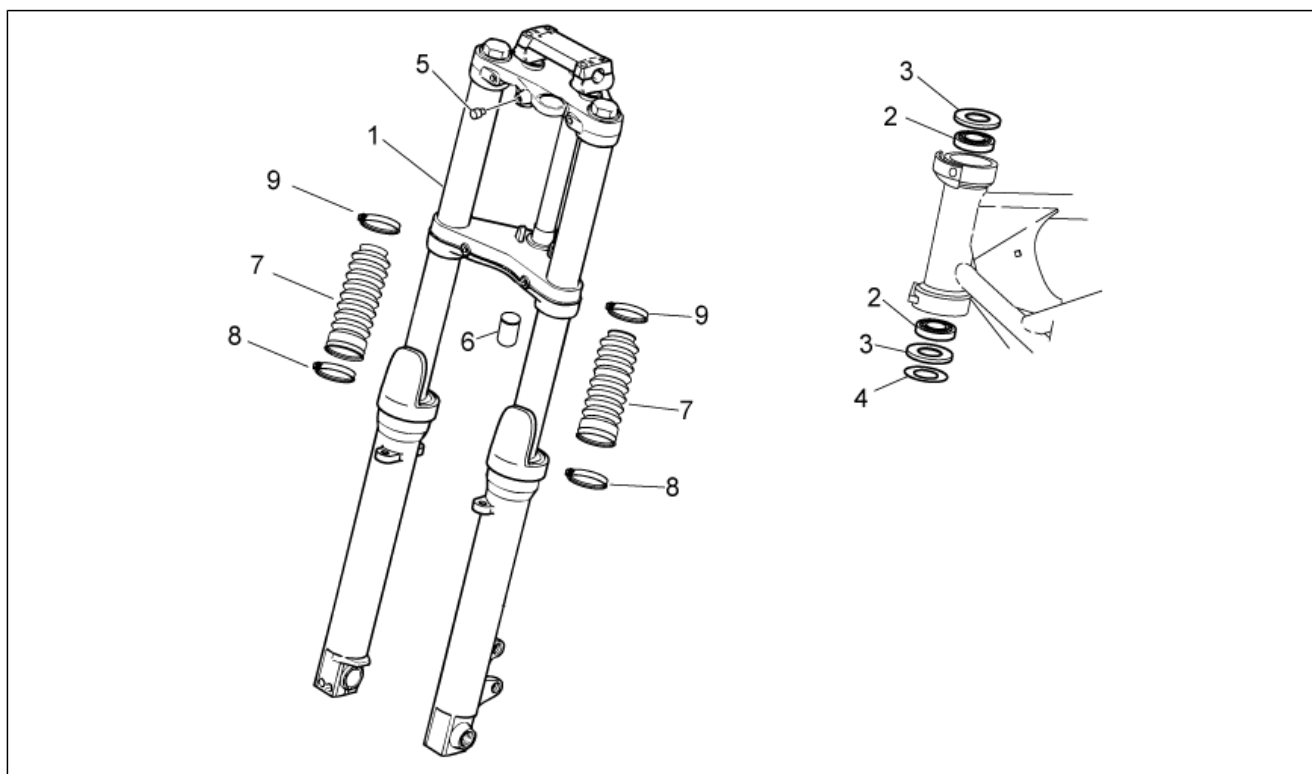


<b>Groep</b>	FRAME
<b>Code</b>	33.06
<b>Beschrijving</b>	Gear lever
<b>Revisie</b>	1



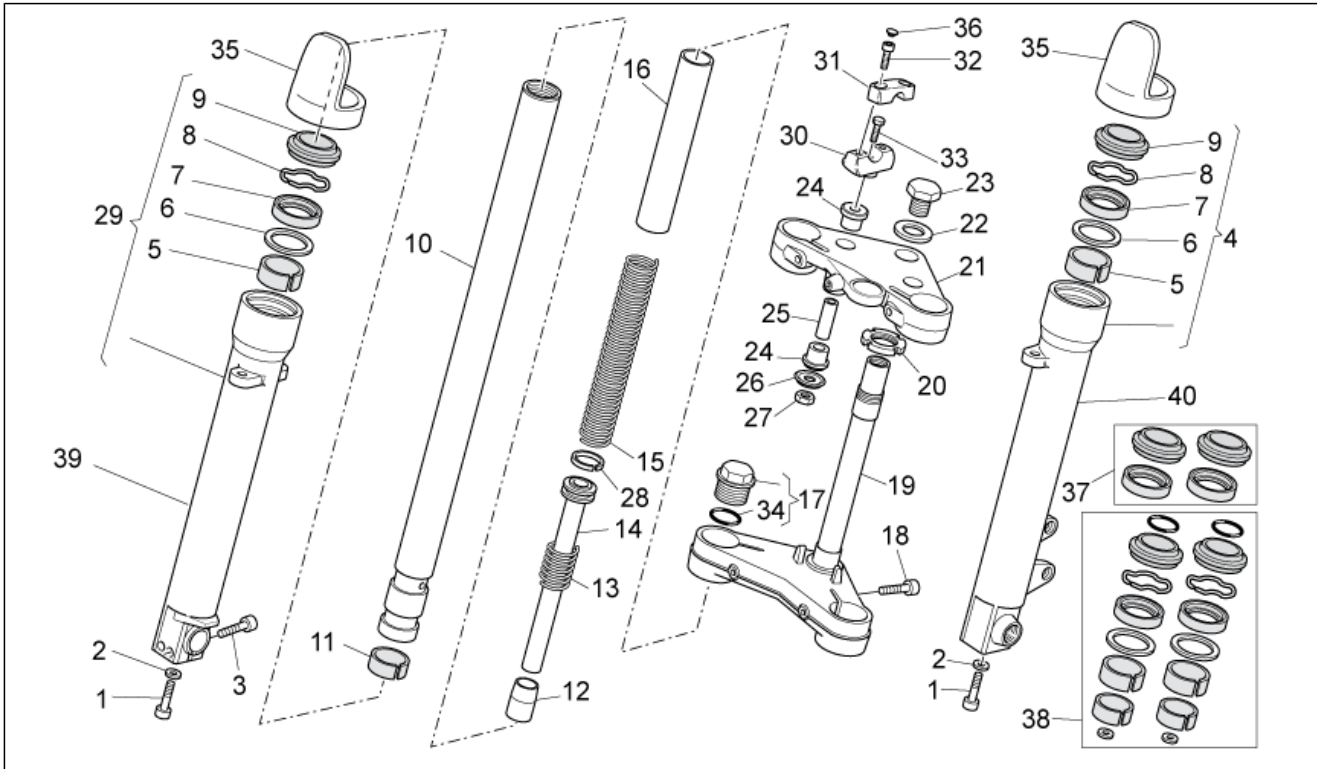
Pos.	Code	Beschrijving	Aant.	Varianten
1	887851	Versnellingshendel	1	
2	AP8120912	Rubbertje voor hendel	1	
3	GU95129260	Elastische sluitring	2	
4	GU32256910	Hendel overbrenging	1	
5	GU92630707	Moer	2	
6	GU98632322	Bout	2	
7	GU03013800	Sluitring 6,4x12	3	
8	GU32257810	Trekker cpl.	1	
9	GU20258221	Hendel voorschakelaar	1	

<b>Groep</b>	FRAME
<b>Code</b>	33.07
<b>Beschrijving</b>	Front fork I
<b>Revisie</b>	1



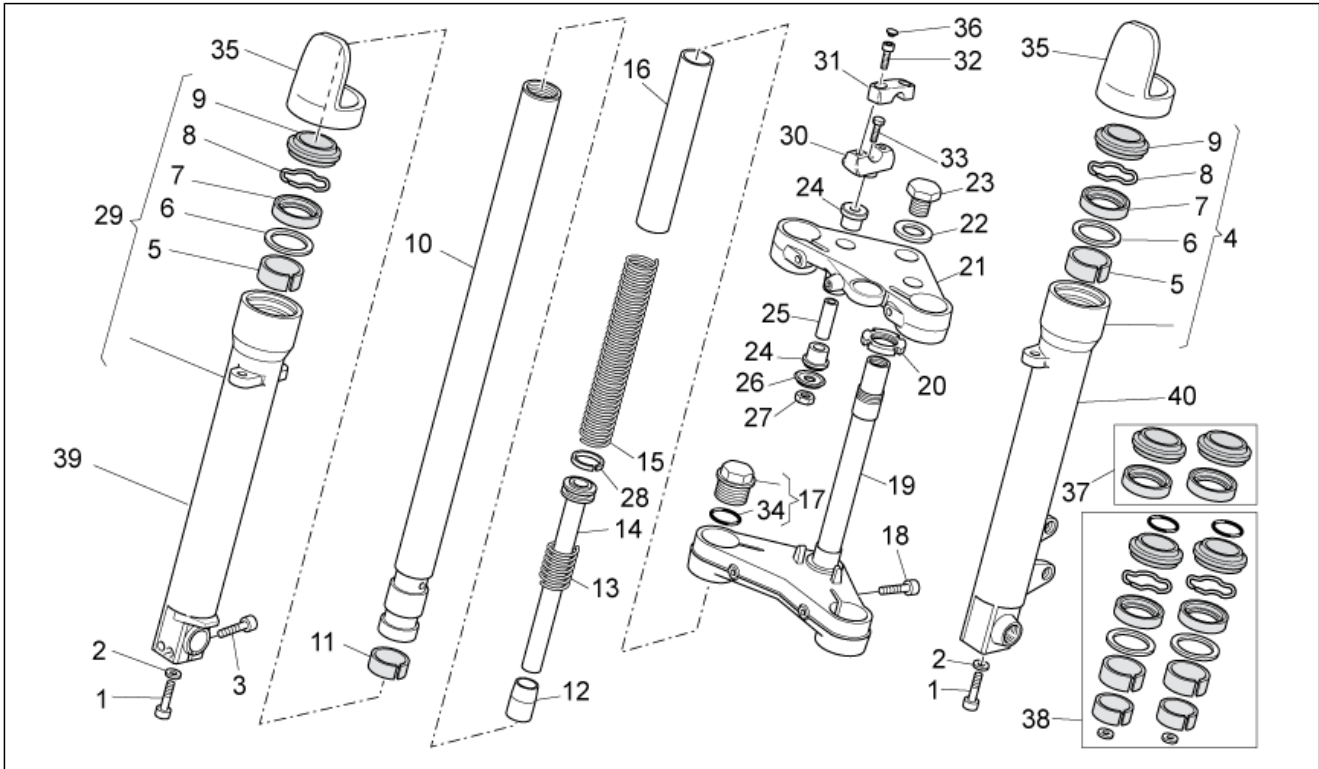
Pos.	Code	Beschrijving	Aant.	Varianten
1	97724R	Voorvork cpl.	1	
2	GU92249225	Conische kogellager	2	
3	AP8144146	Dichtingsring	1	
4	AP8121307	Sluitring	1	
5	AP8144081	Rubbertje	1	
6	AP8220460	Plaatje in rubber	1	
7	898086	Blower vork	2	<b>Technical Specifications:</b> Versione "Stone"[ST]
8	CM001928	Klembandje buis 44	2	<b>Technical Specifications:</b> Versione "Stone"[ST]
9	CM001929	Klembandje buis 36.5	2	<b>Technical Specifications:</b> Versione "Stone"[ST]

<b>Groep</b>	FRAME
<b>Code</b>	33.08
<b>Beschrijving</b>	Front fork II
<b>Revisie</b>	1



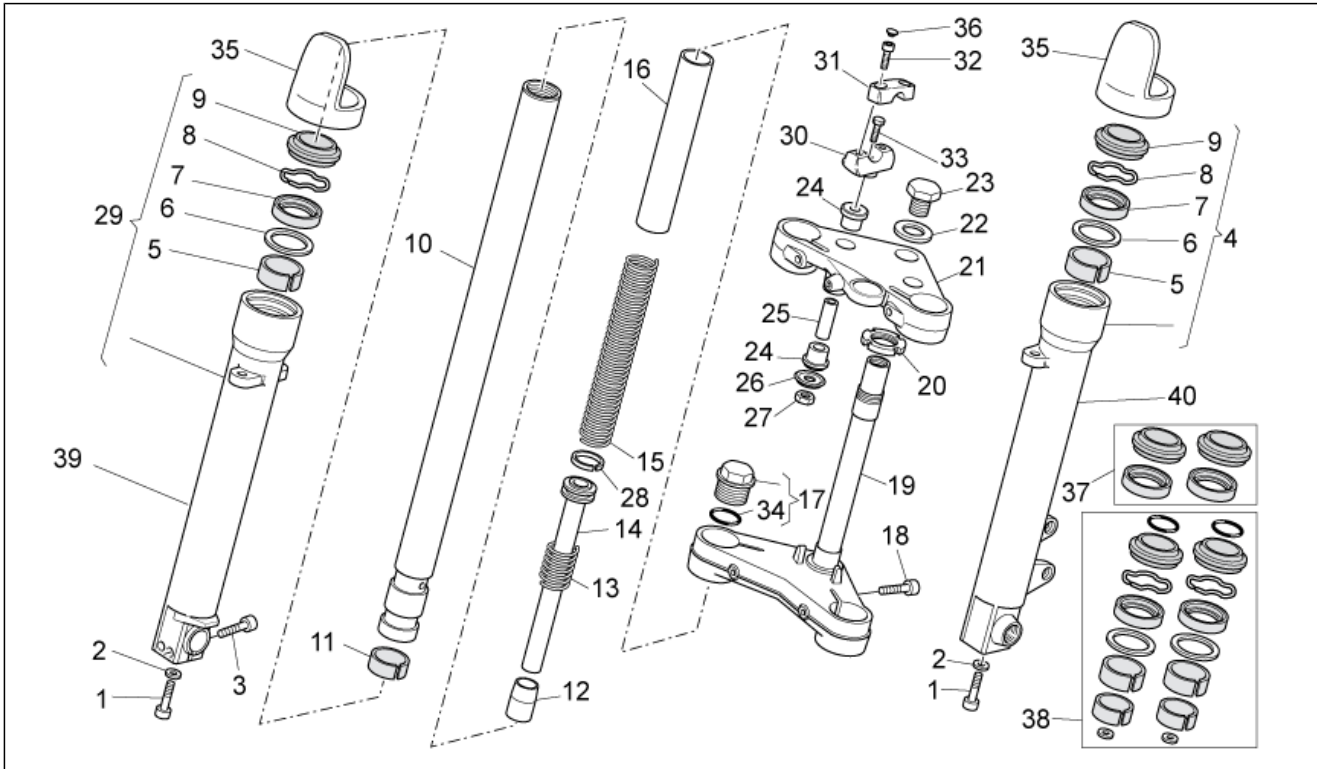
Pos.	Code	Beschrijving	Aant.	Varianten
1	887878	Bout M10x30	2	Technical Specifications:Kaifa[K]
1	GU03530530	Bout M10x30	2	Technical Specifications:Marzocchi[M]
2	887879	Sluitering	2	Technical Specifications:Kaifa[K]
2	GU03530529	Sluitering	2	Technical Specifications:Marzocchi[M]
3	887880	Bout	2	Technical Specifications:Kaifa[K]
3	GU98620330	Bout	2	Technical Specifications:Marzocchi[M]
4	978978	Huls li cpl. Black	1	Technical Specifications:Marzocchi[M]
5	887882	Huls bov.	2	Technical Specifications:Kaifa[K]
5	GU30526761	Huls bov.	2	Technical Specifications:Marzocchi[M]
6	887883	Sluitering	2	Technical Specifications:Kaifa[K]
6	GU01530568	Sluitering	2	Technical Specifications:Marzocchi[M]
7	887884	Dichtingsring	2	Technical Specifications:Kaifa[K]
7	GU27530584	Dichtingsring 40x52x9,5	2	Technical Specifications:Marzocchi[M]
8	887885	Blokkeerring	2	Technical Specifications:Kaifa[K]
8	GU32530501	Blokkeerring	2	Technical Specifications:Marzocchi[M]
9	887886	Stofkeerring	2	Technical Specifications:Kaifa[K]
9	GU01530571	Stofkeerring	2	Technical Specifications:Marzocchi[M]
10	887887	Stang	2	Technical Specifications:Kaifa[K]
10	GU32525410	Stang	2	Technical Specifications:Marzocchi[M]
11	887888	Huls	2	Technical Specifications:Kaifa[K]
11	GU30525861	Huls ond.	2	Technical Specifications:Marzocchi[M]
12	887889	Buffer	2	Technical Specifications:Kaifa[K]
12	GU03530551	Buffer	2	Technical Specifications:Marzocchi[M]
13	887890	Tegenveer	2	Technical Specifications:Kaifa[K]
13	GU32530502	Tegenveer	2	Technical Specifications:Marzocchi[M]
14	887891	Pompend deel cpl.	2	Technical Specifications:Kaifa[K]
14	GU32530503	Pompend deel cpl.	2	Technical Specifications:Marzocchi[M]
15	887892	Veer	2	Technical Specifications:Kaifa[K]

<b>Groep</b>	FRAME
<b>Code</b>	33.08
<b>Beschrijving</b>	Front fork II
<b>Revisie</b>	1



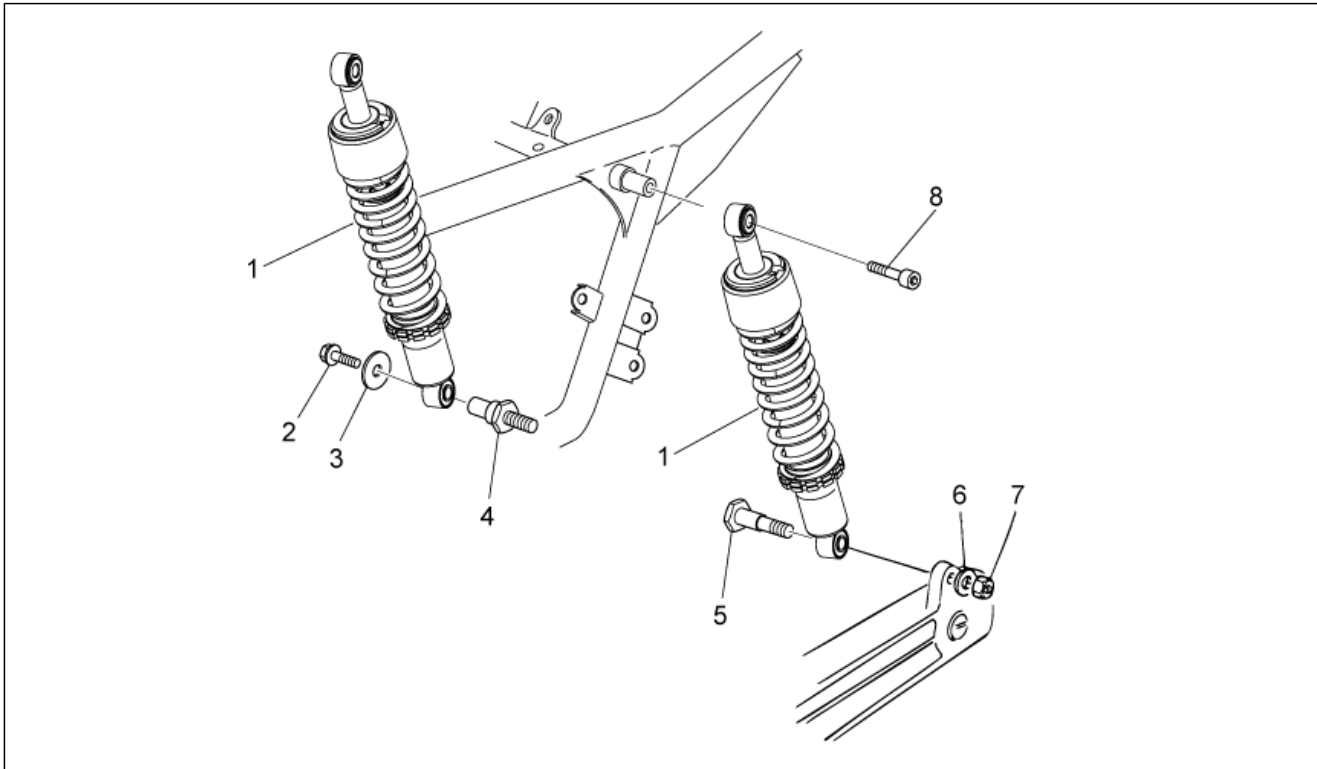
Pos.	Code	Beschrijving	Aant.	Varianten
15	GU32526610	Veer	2	Technical Specifications:Marzocchi[M]
16	887893	Buis	2	Technical Specifications:Kaifa[K]
16	GU32526310	Buis	2	Technical Specifications:Marzocchi[M]
17	887894	Dop cpl.	2	Technical Specifications:Kaifa[K]
17	GU31504583	Dop cpl.	2	Technical Specifications:Marzocchi[M]
18	887895	Bout	2	Technical Specifications:Kaifa[K]
18	GU98620540	Bout	2	Technical Specifications:Marzocchi[M]
19	887896	Basis met kop	1	Technical Specifications:Kaifa[K]
19	978974	Basis met kop Black	1	Technical Specifications:Marzocchi[M]
20	GU31513480	Moer M25X1	1	Technical Specifications:Marzocchi[M]
21	887898	Upper plate	1	Technical Specifications:Kaifa[K]
21	978976	Plaat bov.vork	1	Technical Specifications:Marzocchi[M]
22	887899	Sluitring	1	Technical Specifications:Kaifa[K]
22	GU27530510	Sluitring	1	Technical Specifications:Marzocchi[M]
23	887900	Moer	1	Technical Specifications:Kaifa[K]
23	GU30512830	Moer M20x1,5	1	Technical Specifications:Marzocchi[M]
24	887901	Rubbetje	2	Technical Specifications:Kaifa[K]
24	GU32530506	Rubbetje	4	Technical Specifications:Marzocchi[M]
25	887902	Afstandhouder	2	Technical Specifications:Kaifa[K]
25	GU91181039	Afstandhouder	2	Technical Specifications:Marzocchi[M]
26	887903	Plaatje	2	Technical Specifications:Kaifa[K]
26	GU27530505	Plaatje	2	Technical Specifications:Marzocchi[M]
27	887904	Moer	2	Technical Specifications:Kaifa[K]
27	GU27530506	Moer	2	Technical Specifications:Marzocchi[M]
28	887905	Segment	2	Technical Specifications:Kaifa[K]
28	GU32530504	Segment	2	Technical Specifications:Marzocchi[M]
29	978977	Huls re cpl.	1	Technical Specifications:Marzocchi[M]
30	887912	Beugel ond.	2	Technical Specifications:Kaifa[K]

<b>Groep</b>	FRAME
<b>Code</b>	33.08
<b>Beschrijving</b>	Front fork II
<b>Revisie</b>	1



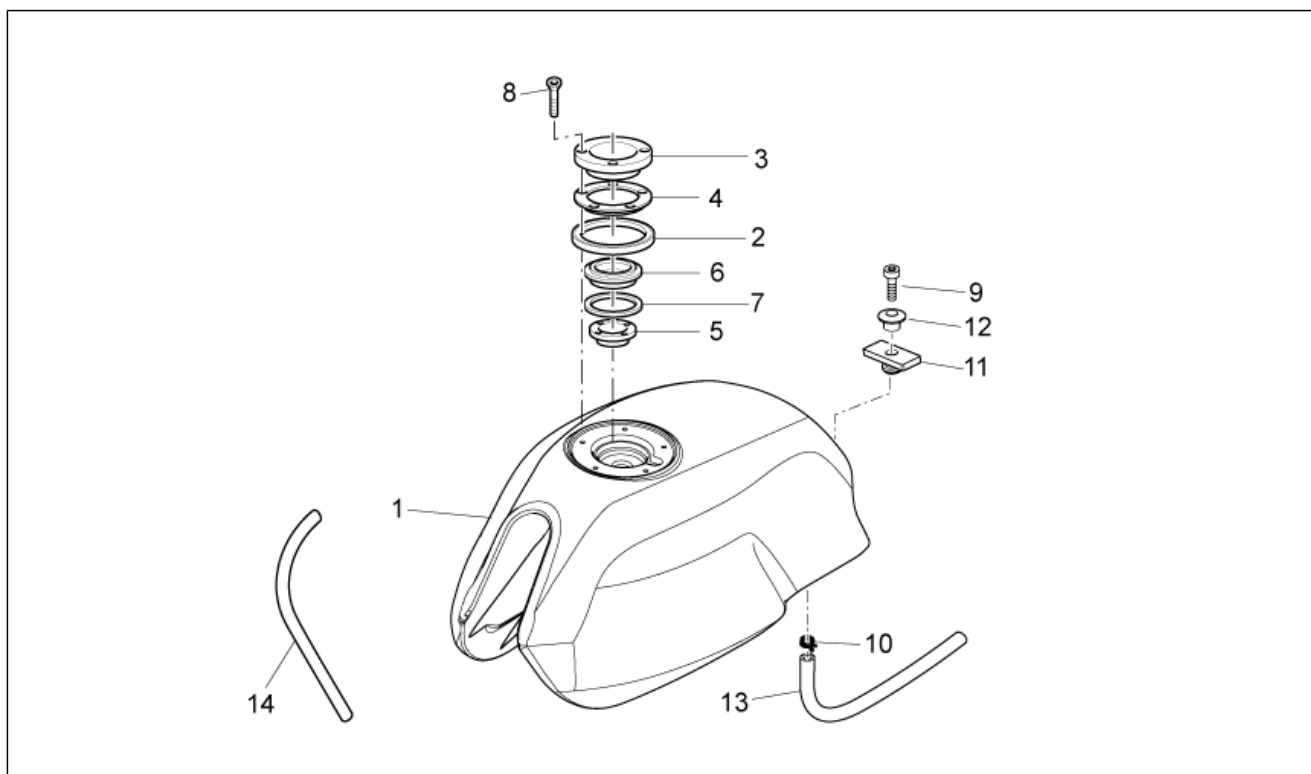
Pos.	Code	Beschrijving	Aant.	Varianten
30	978972	Beugel ond.	2	Technical Specifications:Marzocchi[M]
31	887913	Standaard bov.	2	Technical Specifications:Kaifa[K]
31	978973	Standaard bov.	2	Technical Specifications:Marzocchi[M]
32	887914	Bout M8x30	4	Technical Specifications:Kaifa[K]
32	GU66530505	Bout M8x30	4	Technical Specifications:Marzocchi[M]
33	887915	Bout M10x60	2	Technical Specifications:Kaifa[K]
33	GU98052560	Bout M10x60	2	Technical Specifications:Marzocchi[M]
34	887916	OR-ring 4118	2	Technical Specifications:Kaifa[K]
34	GU32530505	OR-ring 4118	2	Technical Specifications:Marzocchi[M]
35	887917	Bescherming stang	2	Technical Specifications:Kaifa[K]
35	GU32504210	Bescherming stang	2	Technical Specifications:Marzocchi[M]
36	887918	Dop verchr.	4	Technical Specifications:Kaifa[K]
36	GU23943410	Dop verchr.	8	Technical Specifications:Marzocchi[M]
37	GU32530610	Kit pakkingen	1	Technical Specifications:Marzocchi[M]
38	GU32530611	Kit oliekererringen	1	Technical Specifications:Marzocchi[M]
39	887906	Hulsel re	1	Technical Specifications:Kaifa[K]
40	887881	Hulsel li	1	Technical Specifications:Kaifa[K]

<b>Groep</b>	FRAME
<b>Code</b>	33.11
<b>Beschrijving</b>	Rear shock absorber
<b>Revisie</b>	1



Pos.	Code	Beschrijving	Aant.	Varianten
1	884035	Schokdemper acht.	2	Technical Specifications:Sachs[S]
1	B063749	***Shock absorber	2	Technical Specifications:Olle Amortidors SL[O]
2	AP8152278	Zeskantbout geflenst M6x16	1	
3	898164	Afstandhouder schokdemper	1	
4	GU32555210	Pin	1	
5	GU32555211	Pin	1	
6	GU95129181	Sluitring gegolfd	1	
7	GU92606210	Moer M10x1,5	1	
8	GU98690335	Binnenzeskantbout	2	

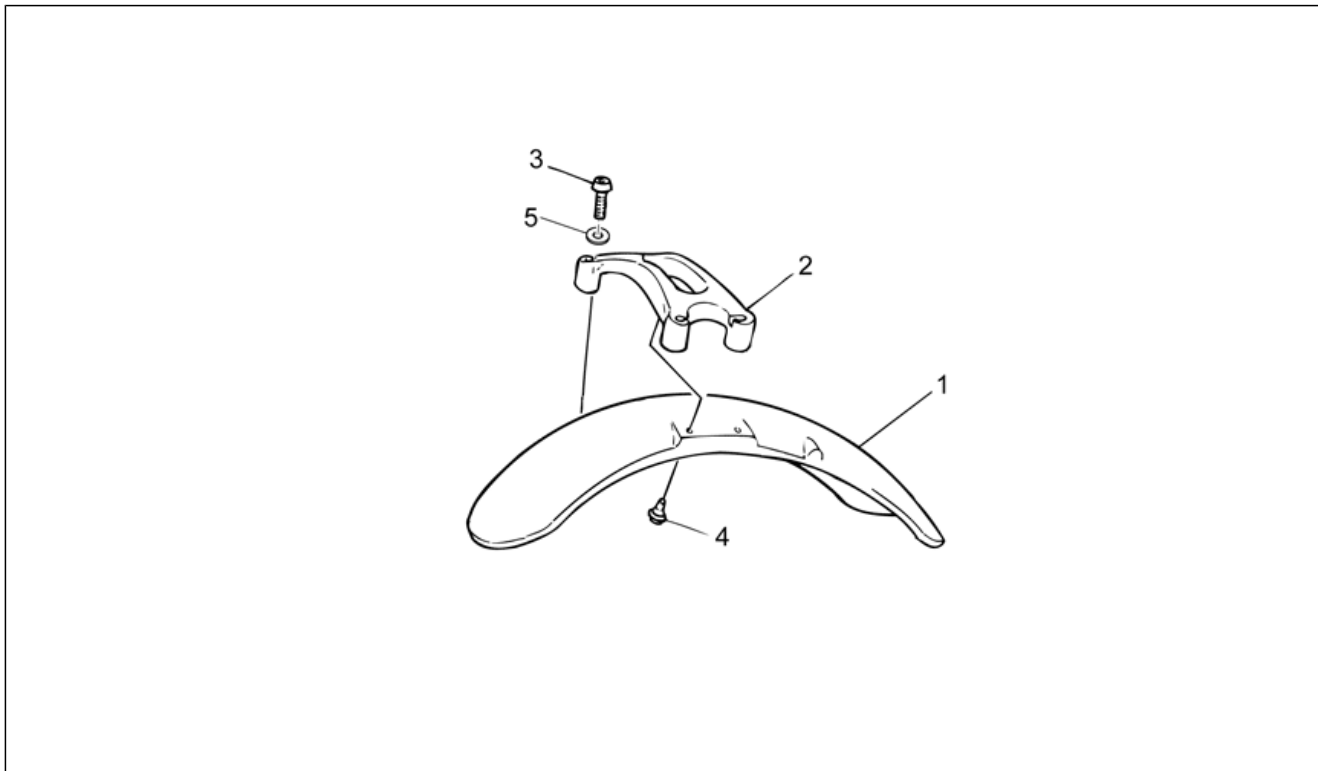
<b>Groep</b>	FRAME
<b>Code</b>	33.12
<b>Beschrijving</b>	Fuel tank
<b>Revisie</b>	1



Pos.	Code	Beschrijving	Aant.	Varianten
1	887207	Serbatoio benz. grezzo	1	LAND:Australia[AUS], europa[EU], Great Britain[UK]
1	88793500Z1	Benzinetank v.rood/wit	1	Kleur van het voertuig:Red/White[r/bi] LAND:Australia[AUS], europa[EU], Great Britain[UK] Technical Specifications:Versione "Special"[SP]
1	88793600Z1	Benzinetank v.rood/wit	1	LAND:Canadian[CDN], United States of America[USA] Technical Specifications:Versione "Special"[SP]
1	88794000XN6	Benzinetank v.zwart	1	Technical Specifications:Versione "Stone"[ST]
1	88794100XN6	Brandstoftank zwart	1	LAND:Canadian[CDN], United States of America[USA]
1	887944	Brandstoftank ruw	1	LAND:Canadian[CDN], United States of America[USA]
1	B06312300Z2	Benzinetank v.zwart/geel	1	Kleur van het voertuig:Nero/Giallo[n/gi] LAND:Australia[AUS], europa[EU], Great Britain[UK] Technical Specifications:Versione "Special"[SP]
2	GU03102400	Pakking flens	1	
3	GU03101900	Flens	1	
4	GU03103500	Ring	1	
5	883502	Reductie 24 mm	1	LAND:United States of America[USA]
5	GU03101720	Reductie 38 mm	1	LAND:Australia[AUS], Canadian[CDN], europa[EU], Japan[J], Great Britain[UK]
6	GU03102200	Moer dop	1	
7	GU03101600	Pakking	2	
8	GU03103200	Bout	5	
9	GU98682430	Binnenzeskantbout M8x30	1	
10	AP8101595	Klemmetje D10,1*	1	
11	AP8120557	Rubbetje tank	1	
12	AP8121673	'T'-vormige huls *	1	
13	GU00823944050	Buis 5X9	1	
14	GU00823931070	Pakking	1	

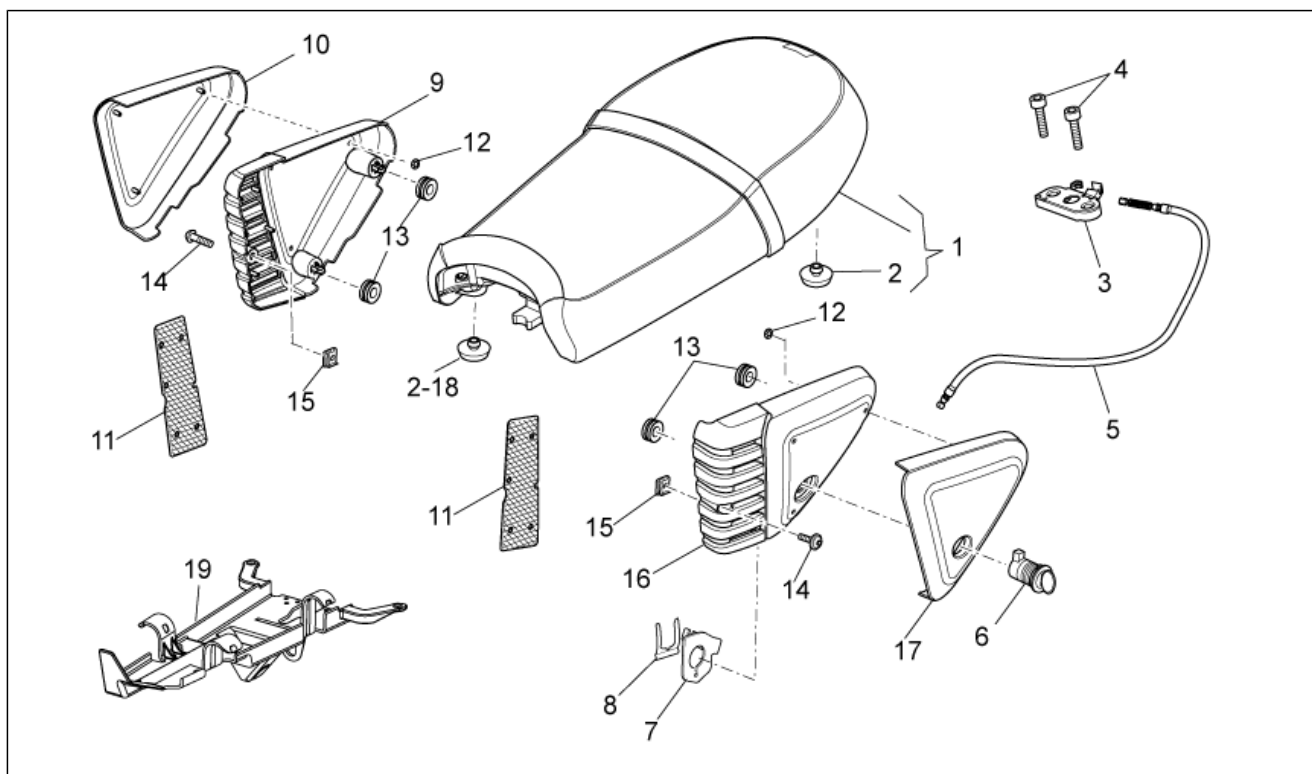


<b>Groep</b>	FRAME
<b>Code</b>	33.13
<b>Beschrijving</b>	Front body - Front mudguard
<b>Revisie</b>	1



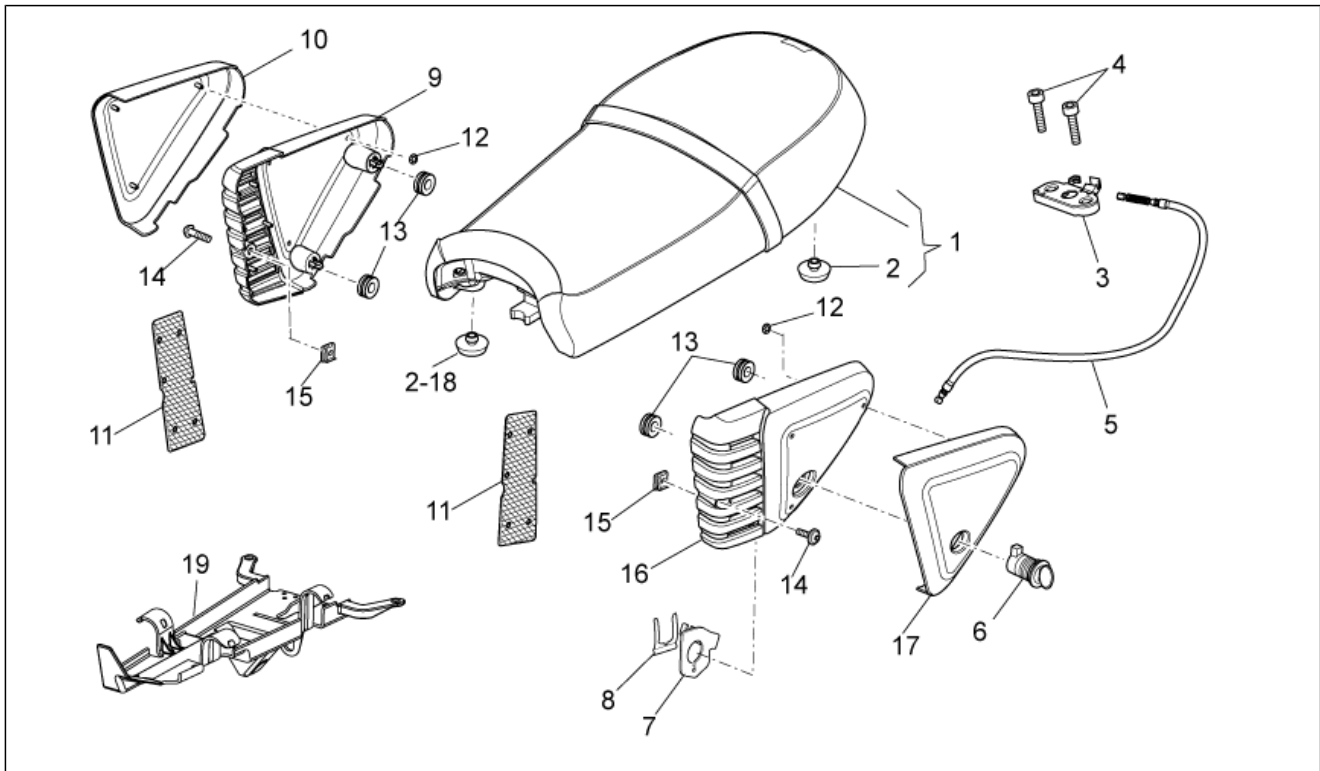
Pos.	Code	Beschrijving	Aant.	Varianten
	88635200XB3	Spatbord voor.v.wit	1	<b>Kleur van het voertuig:</b> Bianco aprilia[ba] <b>Technical Specifications:</b> Versione "Stone"[ST]
1	88635200XN2	Spatbord voor.v.zwart	1	<b>Kleur van het voertuig:</b> Nero/Giallo[r/gi] <b>Technical Specifications:</b> Versione "Special"[SP]
1	88635200XN6	Spatbord voor.v.zwart	1	<b>Kleur van het voertuig:</b> Diablo Black[nd] <b>Technical Specifications:</b> Versione "Stone"[ST]
1	88635200XR7	Spatbord voor.v.rood	1	<b>Kleur van het voertuig:</b> Red/White[r/bi] <b>Technical Specifications:</b> Versione "Special"[SP]
1	GU32434460	Spatbord voor.ruw	1	
2	883266	Stabiliseerplaat	1	
3	GU98370845	Bolbout met binnenzeskant	4	
4	GU31439565	Speciale bout	4	
5	GU14615901	Sluitring 8,4X13X0,8	4	

<b>Groep</b>	FRAME
<b>Code</b>	33.14
<b>Beschrijving</b>	Saddle-Central bod
<b>Revisie</b>	1



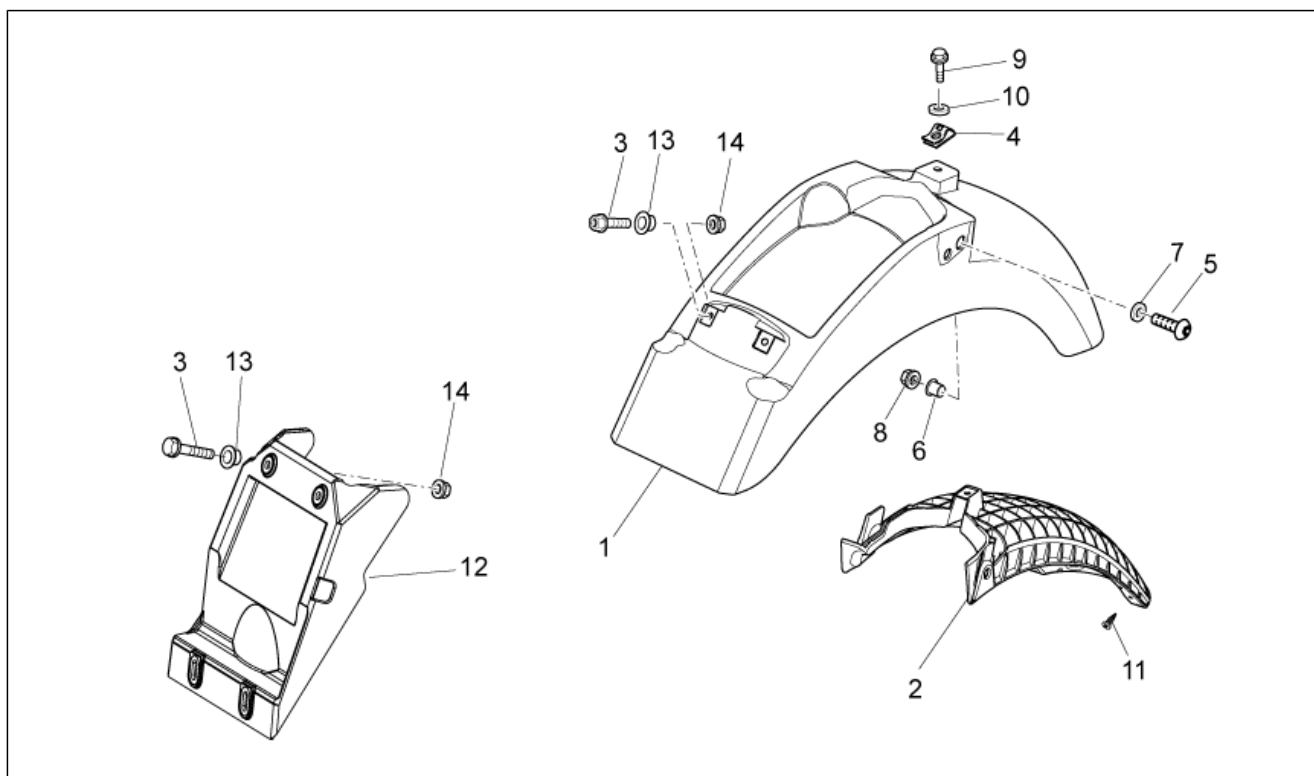
Pos.	Code	Beschrijving	Aant.	Varianten
1	88793900A1	Tweepersoonszadel	1	<b>Technical Specifications:</b> Versione "Special"[SP]
1	978931	Tweepersoonszadel	1	<b>Technical Specifications:</b> Versione "Stone"[ST]
2	GU32461610	Rubbetje	8	<b>Technical Specifications:</b> Versione "Special"[SP]
2	GU32461610	Rubbetje	10	<b>Technical Specifications:</b> Versione "Stone"[ST]
3	AP8102913	Koppelingsplaat zadel pass.	1	
4	GU98370625	Bolbout met binnenzeskant	2	
5	883295	Kabel slot zadel	1	
6	977527	Zadelslot	1	
7	AP8121420	Vorkveer	1	
8	978415	Plaatje steun kabel	1	
9	978941	Houder re	1	
10	88793700XR7	Zijplaatje re v. rood	1	<b>Kleur van het voertuig:</b> Red/White[r/bi] <b>Technical Specifications:</b> Versione "Special"[SP]
10	88794200XN6	Zijplaatje re v. zwart diablo	1	<b>Kleur van het voertuig:</b> Bianco aprilia[ba], Diablo Black[nd] <b>Technical Specifications:</b> Versione "Stone"[ST]
10	B06312500XN2	Zijplaatje re v. zwart	1	<b>Kleur van het voertuig:</b> Nero/Giallo[n/gi] <b>Technical Specifications:</b> Versione "Special"[SP]
11	978942	Net	2	
12	AP8150450	Sluitring voor assen D5	1	
13	GU91551086	Rubbetje	4	
14	AP8152339	Bolbout met binnenzeskant, geflenst M5x9	2	
15	AP8102375	Clip m5	2	
16	978944	Houder li	1	
17	88793800XR7	Zijplaatje li v. rood	1	<b>Kleur van het voertuig:</b> Red/White[r/bi] <b>Technical Specifications:</b> Versione "Special"[SP]
17	88794300XN6	Zijplaatje li v. zwart diablo	1	<b>Kleur van het voertuig:</b> Bianco aprilia[ba], Diablo Black[nd] <b>Technical Specifications:</b> Versione "Stone"[ST]
17	B06312600XN2	Zijplaatje li v. zwart	1	<b>Kleur van het voertuig:</b> Nero/Giallo[n/gi] <b>Technical Specifications:</b> Versione "Special"[SP]

<b>Groep</b>	FRAME
<b>Code</b>	33.14
<b>Beschrijving</b>	Saddle-Central bod
<b>Revisie</b>	1



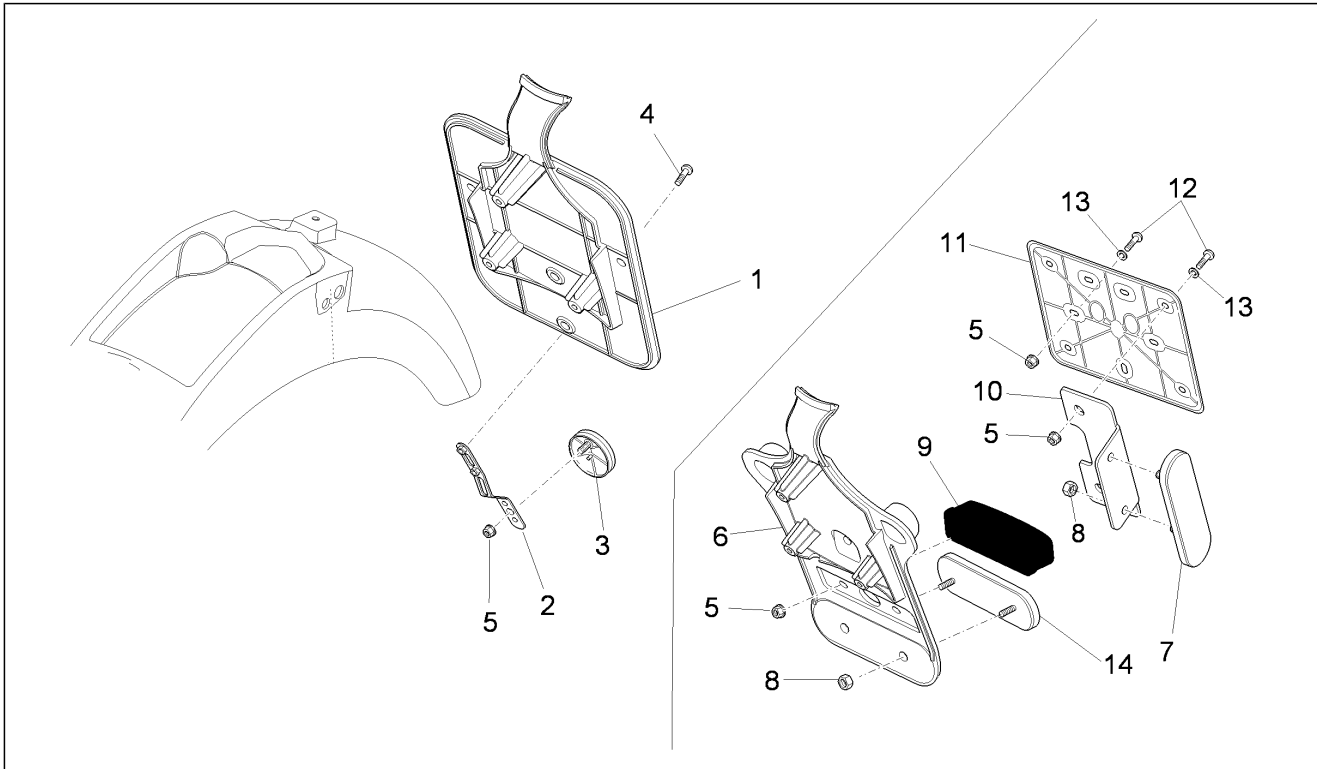
Pos.	Code	Beschrijving	Aant.	Varianten
18	B063429	Rubbertje	2	Technical Specifications:Versione "Special"[SP]
19	B063431	Wand	1	

<b>Groep</b>	FRAME
<b>Code</b>	33.15
<b>Beschrijving</b>	Rear body I- Mudguard
<b>Revisie</b>	1



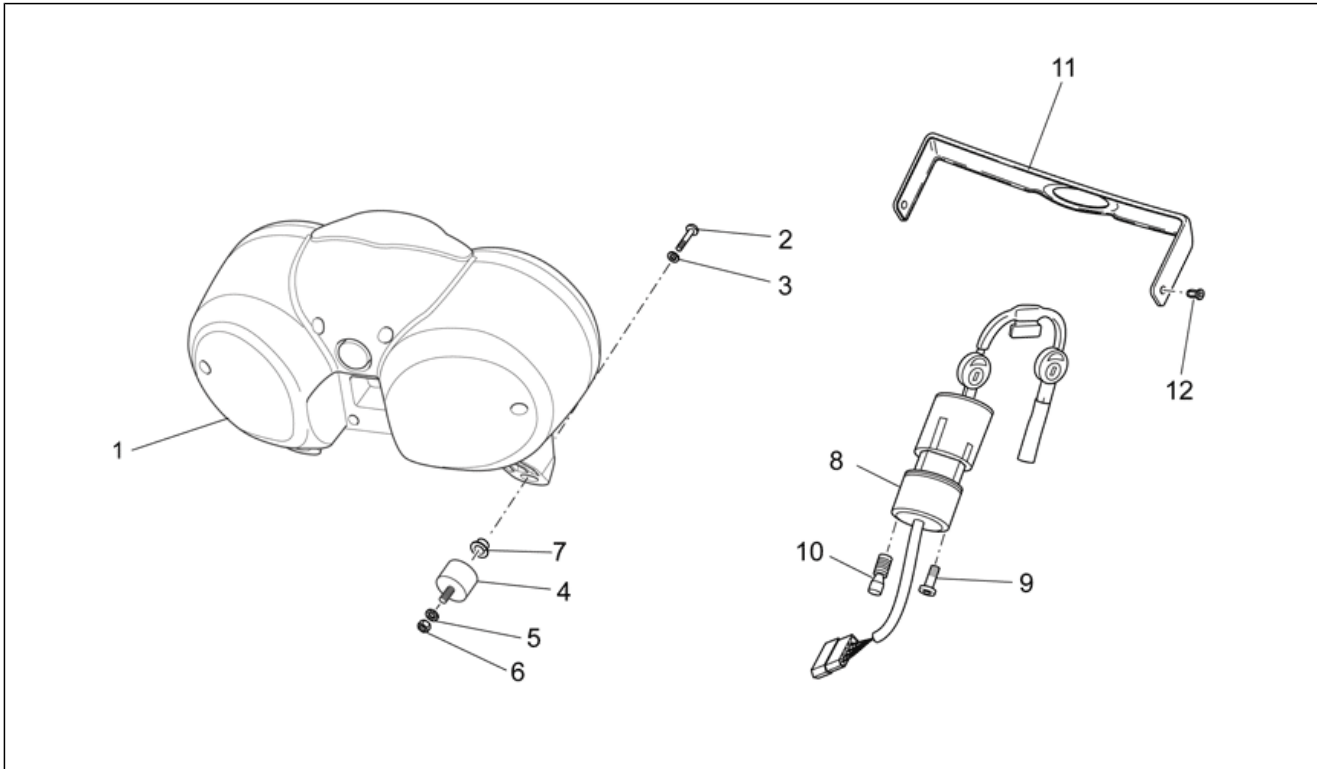
Pos.	Code	Beschrijving	Aant.	Varianten
1	978946	Spatbord acht. ruw	1	
1	97894600XB3	Spatbord acht.wit	1	<b>Kleur van het voertuig:</b> Bianco aprilia[ba] <b>Technical Specifications:</b> Versione "Stone"[ST]
1	97894600XN2	Spatbord acht.zwart	1	<b>Kleur van het voertuig:</b> Nero/Giallo[n/gi] <b>Technical Specifications:</b> Versione "Special"[SP]
1	97894600XN6	Spatbord acht.zwart	1	<b>Kleur van het voertuig:</b> Diablo Black[nd] <b>Technical Specifications:</b> Versione "Stone"[ST]
1	97894600XR7	Spatbord acht.rood	1	<b>Kleur van het voertuig:</b> Red/White[r/bi] <b>Technical Specifications:</b> Versione "Special"[SP]
2	978947	Versterking	1	
3	AP8152278	Zeskantbout geflenst M6x16	4	
4	254485	Spring plate M6	1	
5	GU98370831	Bolbout met binnenzeskant M8x30	2	
6	GU91120806	Afstandhouder	2	
7	GU95005310	Sluitring 8,4x18x2	2	
8	GU92640708	Moer M8	2	
9	AP8152279	Zeskantbout geflenst M6x20	2	
10	GU91180601	Afstandhouder 6,2x8x3	2	
11	AP8152329	Bout SWP kruiskop gefl. M5x20	3	
12	B063167	Spatbordjes	1	
13	AP8121032	Huls	6	
14	AP8152299	Zelfborg.bout gefl. M6	6	

<b>Groep</b>	FRAME
<b>Code</b>	33.16
<b>Beschrijving</b>	Rear body II- Plate holder
<b>Revisie</b>	1



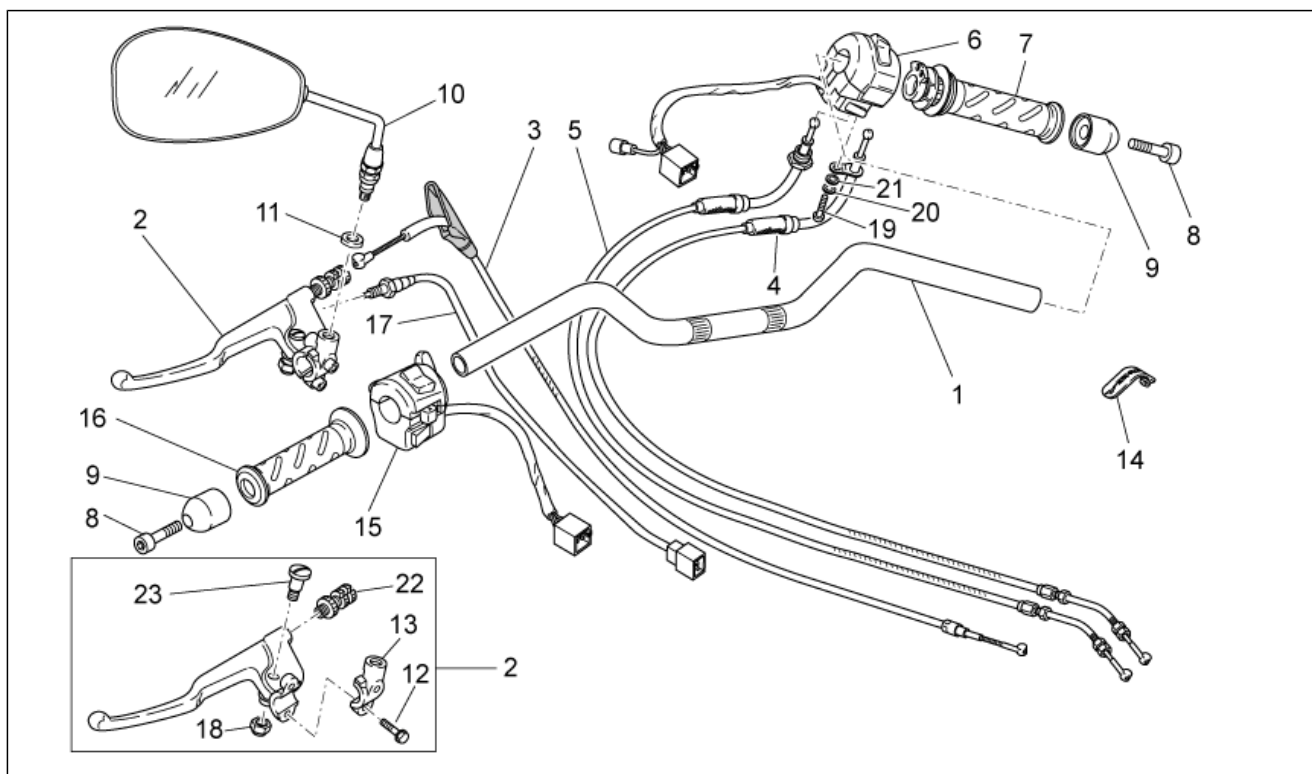
Pos.	Code	Beschrijving	Aant.	Varianten
1	978949	Nummerplaathouder	1	
2	AP8134448	Houder reflector	1	
3	AP8224164	Reflector rood	1	
4	GU98230510	Bolbout met binnenzeskant	1	
5	AP8152306	Zelfborg.bout gefl. m5	1	
6	883470	Nummerplaathouder	1	LAND:Canadian[CDN], United States of America[USA]
7	AP8124718	Reflector rood	2	LAND:Canadian[CDN], United States of America[USA]
8	GU92630204	Moer	6	LAND:Canadian[CDN], United States of America[USA]
9	883480	Licht nummerplaat	1	LAND:Canadian[CDN], United States of America[USA]
10	GU32781910	Houder reflector	2	LAND:Canadian[CDN], United States of America[USA]
11	AP8149034	Steun van de nummerplaat	1	LAND:Canadian[CDN], United States of America[USA]
12	AP8152268	Speciale bolbout met binnenzeskant M5x16	7	LAND:Canadian[CDN], United States of America[USA]
13	AP8150248	Sluitring 5,5x15x1,6	7	LAND:Canadian[CDN], United States of America[USA]
14	GU05781630	Reflector amber	1	LAND:Canadian[CDN], United States of America[USA]

<b>Groep</b>	FRAME
<b>Code</b>	33.17
<b>Beschrijving</b>	Dashboard
<b>Revisie</b>	1



Pos.	Code	Beschrijving	Aant.	Varianten
1	887194	Dashboard cpl.	1	LAND:Australia[AUS], europa[EU]
1	887195	Dashboard cpl. MPH	1	LAND:Canadian[CDN], United States of America[USA]
2	GU98370609	Bolbout met binnenzeskant M6x10	3	
3	GU95005306	Sluitring 6,4x13x1,5	3	
4	GU93222023	Silent-block	3	
5	GU95021206	Sluitring	3	
6	GU92606206	Moer	3	
7	AP8121032	Huls	3	
8	GU32782510	Starblokje-blokk.	1	
9	GU98682416	Binnenzeskantbout M8x16	1	
10	AP8150349	Speciale bout M8x15	1	
11	883569	Bedekking	1	
12	GU23922210	Pin	2	

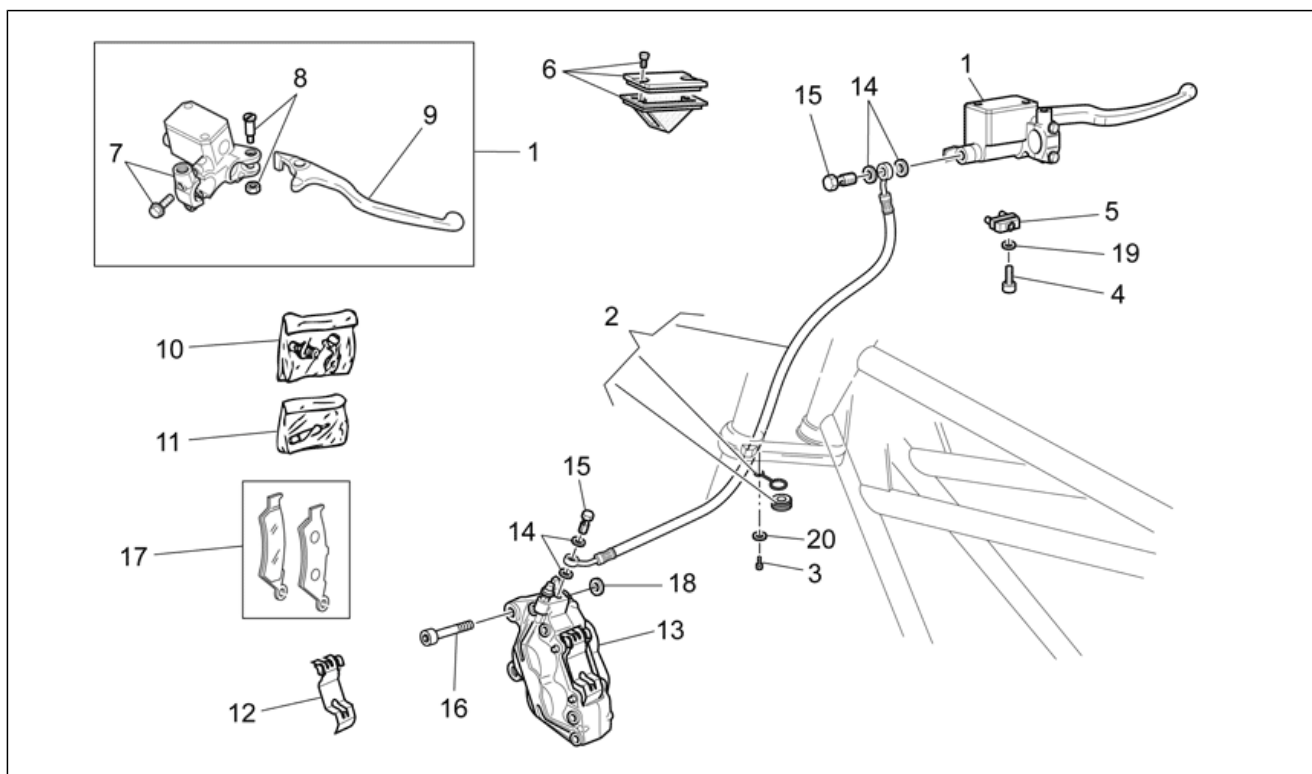
<b>Groep</b>	FRAME
<b>Code</b>	33.18
<b>Beschrijving</b>	Handlebar - Controls
<b>Revisie</b>	1



Pos.	Code	Beschrijving	Aant.	Varianten
1	978960	Stuur	1	
2	GU32605510	Koppelingshendel	1	
3	883941	Kabel koppeling	1	
4	887852	Kabel opening gas	1	
5	887853	Kabel sluiting gas	1	
6	B063135	Schak.lichten re	1	
7	GU32603310	Handvat re	1	
8	GU98690335	Binnenzeskantbout	2	
9	AP8104509	Antitrikgewicht v.zwart	2	<b>Technical Specifications:</b> Versione "Stone"[ST]
9	GU32602860	Antitrikgewicht v.cromo	2	<b>Technical Specifications:</b> Versione "Special"[SP]
10	883802	Achteruitkijkspiegel re/li	2	<b>Technical Specifications:</b> marked "FU E11 81R-001047"[FU]
10	978570	Achteruitkijkspiegel re/li	2	<b>Technical Specifications:</b> marked "FAR"[FAR]
11	GU91181003	Afstandhouder 10,25X20X4	2	
12	GU97202325	Zeskantbout gefl.zwart M6x25	2	
13	GU30601060	Klem	1	
14	GU01609630	Klemmetje L46 mm	2	
14	GU03609600	Klemmetje L36 mm	1	
15	887822	Schak.lichten li	1	
16	GU32603010	Handvat li	1	
17	GU29759150	Schakelaar standaard	1	
18	AP8213388	Zelfborg.moer	1	
19	GU98230510	Bolbout met binnenzeskant	1	
20	GU95008305	Sluitring 5,3X10X1	1	
21	GU95021105	Getande sluitring	1	
22	GU30602500	Register	1	
23	AP8213028	Bout	1	

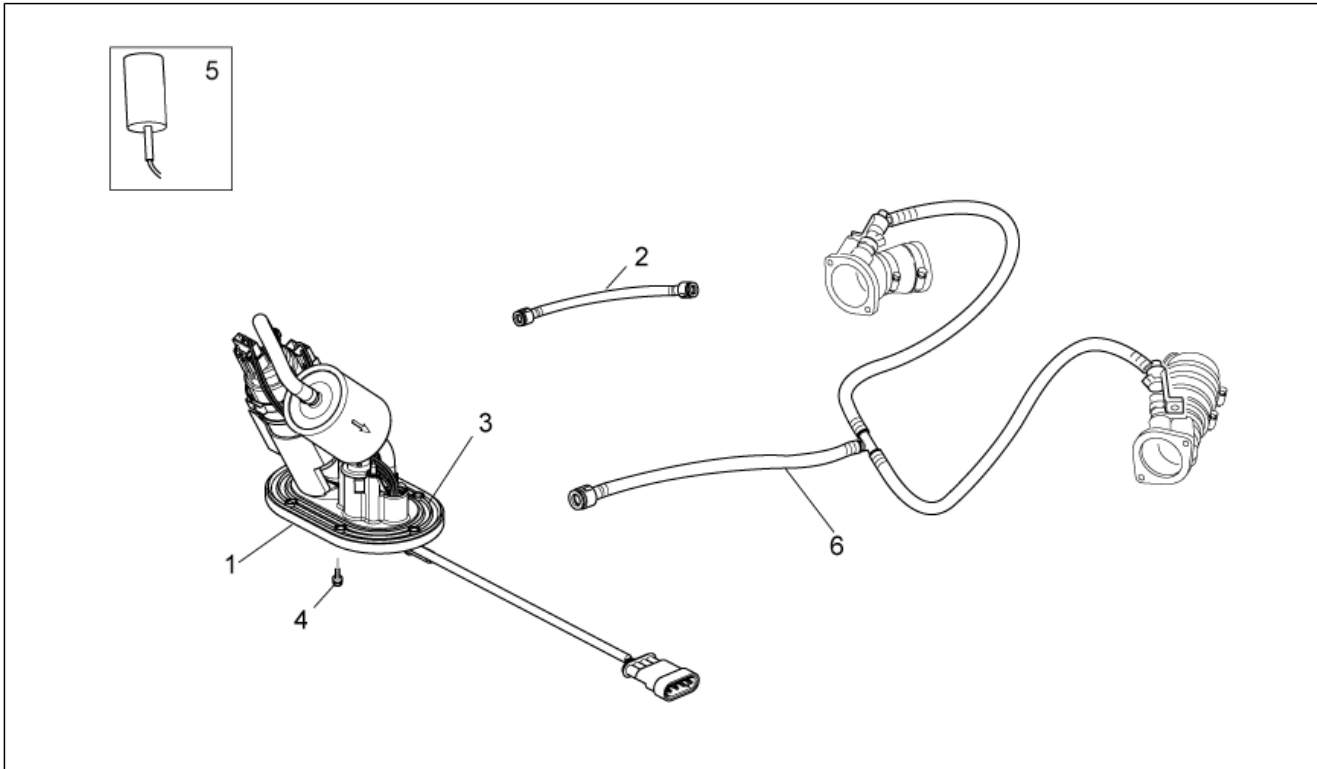


<b>Groep</b>	FRAME
<b>Code</b>	33.19
<b>Beschrijving</b>	Front brake system
<b>Revisie</b>	1



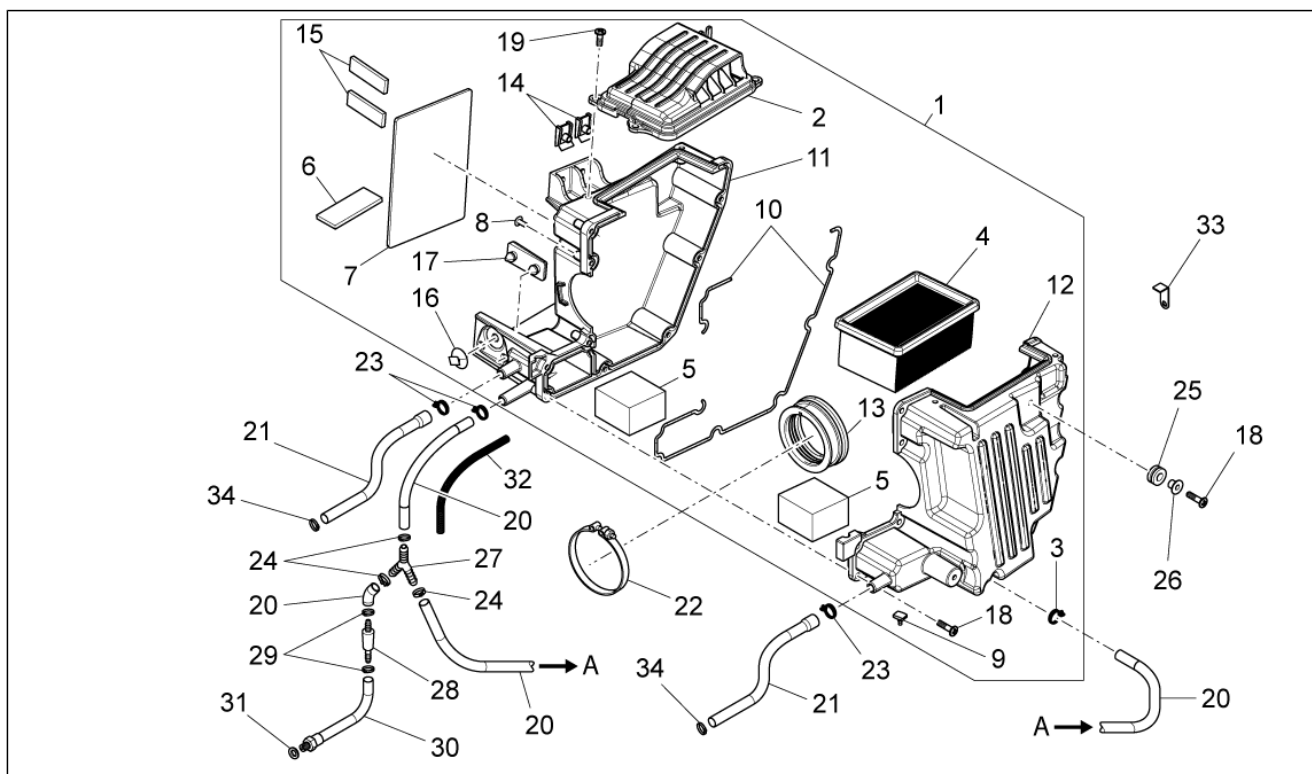
Pos.	Code	Beschrijving	Aant.	Varianten
1	GU03660145	Pomp voorrem	1	
2	GU32657110	Remleiding	1	
3	AP8152277	Zeskantbout geflenst M6x12	1	
4	GU98370412	Bolbout met binnenzeskant M4x12	1	
5	GU03749845	Stopschakelaar	1	
6	GU03661145	Bedekking pomp	1	
7	GU03664045	Beugel	1	
8	GU03604845	Pin hendel	1	
9	GU03605645	Remhendel	1	
10	GU05659230	Ontluchting+kapje	1	
11	GU01659130	Pinnen+Veren tang	1	
12	GU01659131	Veer	1	
13	883303	Tang voorrem li zwart	1	
14	AP8121915	Pakking	4	
15	978323	Bout olieleiding *	2	
16	AP8152385	Binnenzeskantbout M10x1,25	2	
17	GU01654630	Pastilles - koppel	1	
18	GU91181003	Afstandhouder 10,25X20X4	2	
19	GU95021104	Sluitring 4,3x8x1,5	1	
20	GU95008306	Sluitring 6,4x12x1,2	1	

<b>Groep</b>	FRAME
<b>Code</b>	33.21
<b>Beschrijving</b>	Fuel pump
<b>Revisie</b>	1



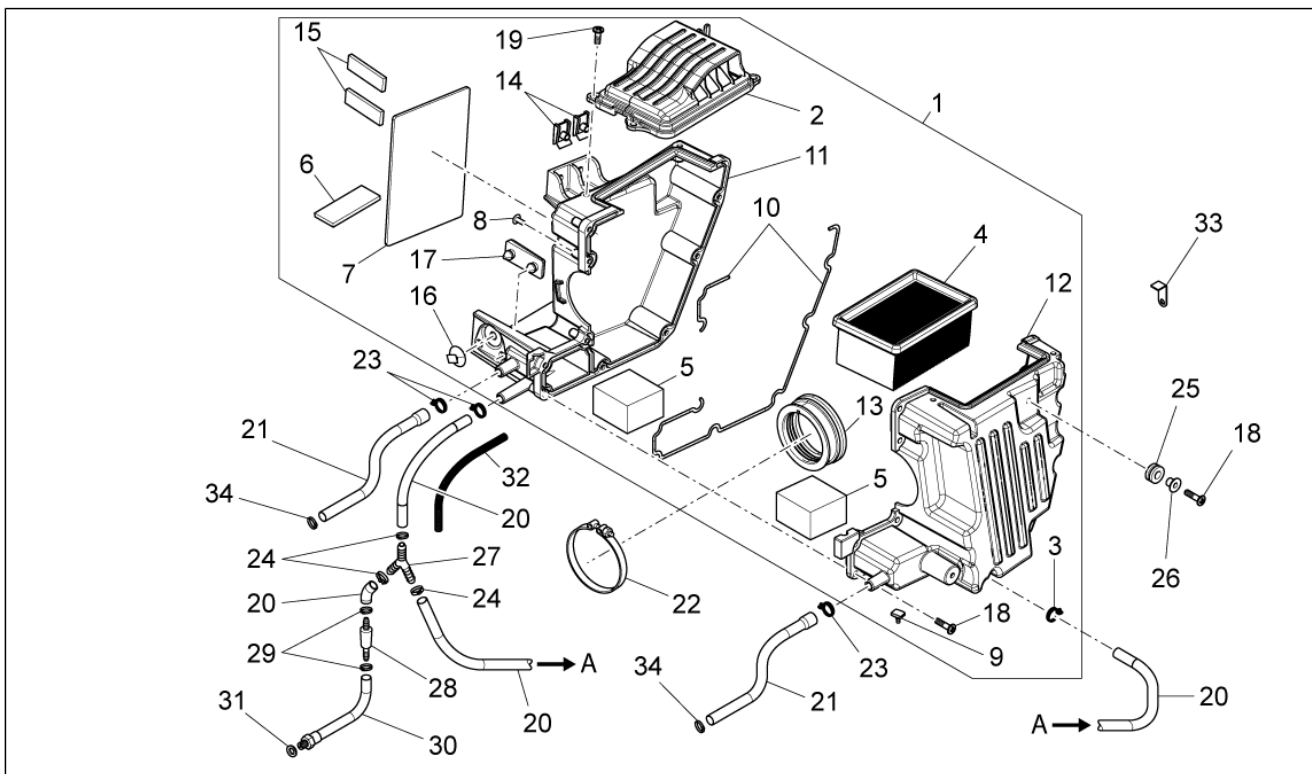
Pos.	Code	Beschrijving	Aant.	Varianten
1	887768	Benzinepomp	1	
2	B063033	Benzineleiding	1	
3	GU05107430	Pakking flens	1	
4	AP8152273	Geflenste bout	6	
5	887787	Sensor benzinepeil	1	
6	B063034	Benzineleiding	1	

<b>Groep</b>	FRAME
<b>Code</b>	33.22
<b>Beschrijving</b>	Air box
<b>Revisie</b>	1



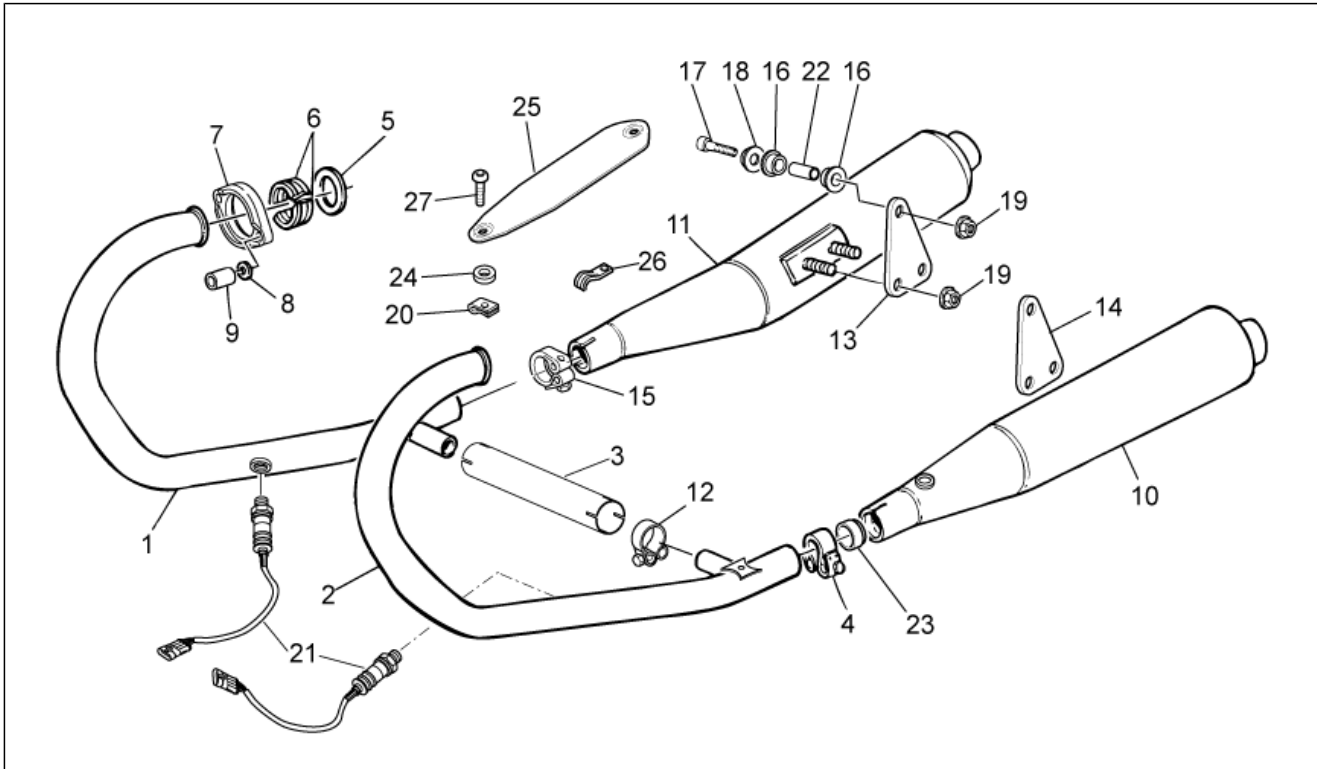
Pos.	Code	Beschrijving	Aant.	Varianten
1	8878421	Scatola filtro completa	1	
2	887843	Bedekking luchtfilter	1	
3	AP8201358	Klemmetje D 11,9	1	
4	AP8104924	Luchtfilter	1	
5	AP8104525	Filter blow-by	2	
6	883127	Rubber 5mm	1	
7	AP8144553	Rubber	1	
8	AP8120876	Sluitdop	2	
9	AP8120455	Rubbetje	1	
10	AP8120615	Pakking D3	2	
11	887844	Guscio dx cassa filtro	1	
12	887845	Guscio sx cassa filtro	1	
13	887815	Aanzuigingsmof	1	
14	254485	Spring plate M6	2	
15	AP8144538	Pakking	2	
16	890760	Steun connector	1	
17	AP8144729	Buffer eindeloop standaard	1	
18	AP8152329	Bout SWP kruiskop gefl. M5x20	11	
19	AP8150509	Zelftap. bout 5x14	4	
20	AP8120772	Ontluchtingsbuis	3	
21	B063214	Tubazione blow-by	2	
22	GU93305061	Klemmetje 61/65,5	1	
23	AP8102766	Klemmetje	3	
24	AP8102159	Klemmetje	3	
25	GU91551010	Rubbetje	2	
26	AP8221023	'T'-vormige huls *	2	
27	AP8120116	Driewegsverbinding	1	
28	AP8104251	Klep ontlichting olie	1	

<b>Groep</b>	FRAME
<b>Code</b>	33.22
<b>Beschrijving</b>	Air box
<b>Revisie</b>	1



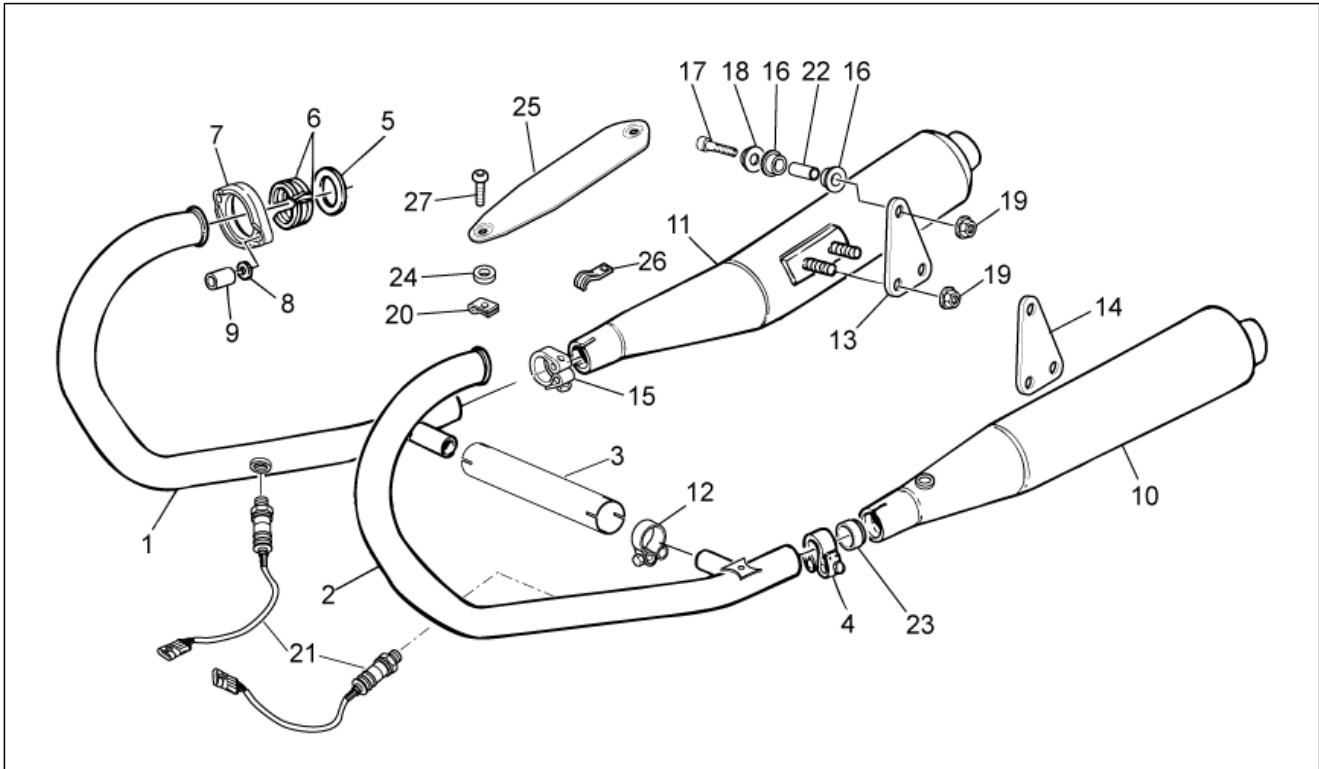
Pos.	Code	Beschrijving	Aant.	Varianten
29	AP8102159	Klemmetje	2	
30	B063213	Buis recup.olie	1	
31	GU90714082	Pakking	1	
32	GU00823923140	Thermische gaine	1	
33	GU31112965	Steunbeugel filter	1	
34	AP8201358	Klemmetje D 11,9	2	

<b>Groep</b>	FRAME
<b>Code</b>	33.23
<b>Beschrijving</b>	Exhaust unit
<b>Revisie</b>	1



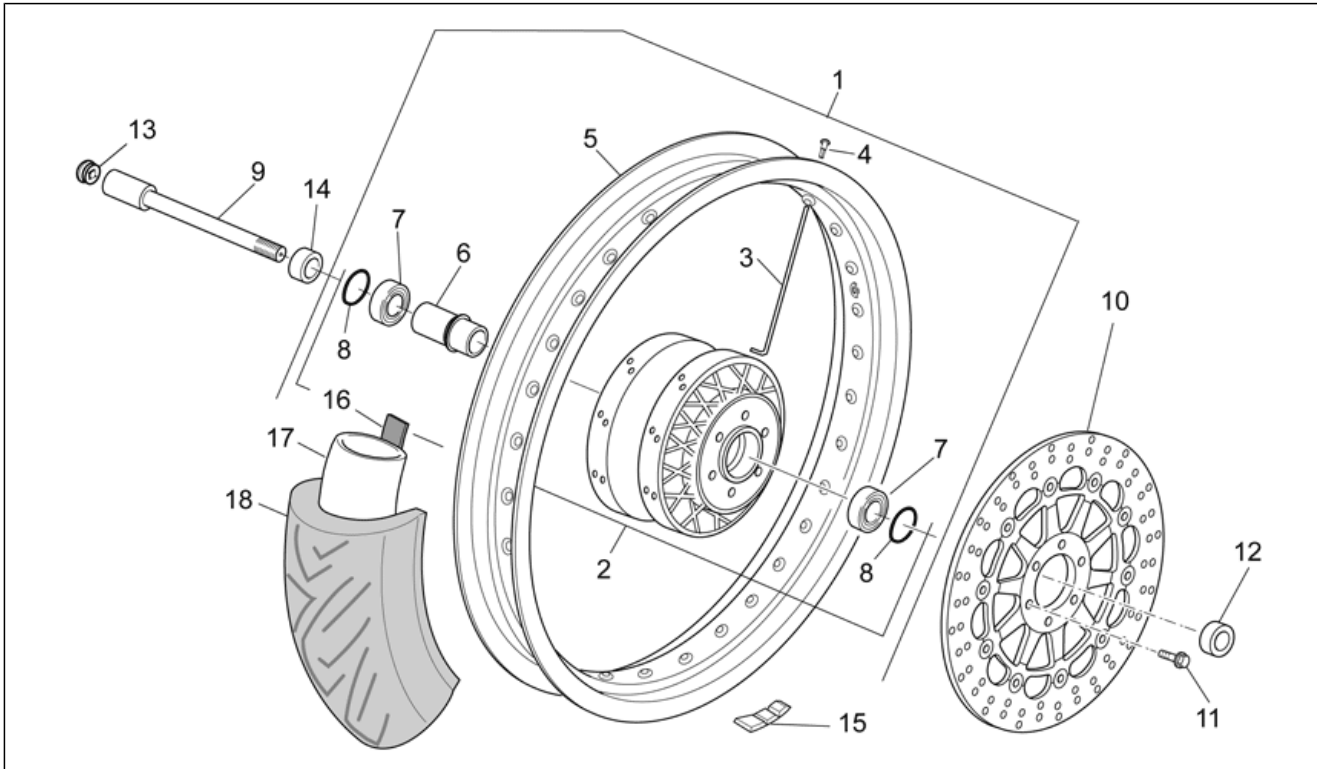
Pos.	Code	Beschrijving	Aant.	Varianten
1	887846	Buis afvoer re	1	LAND:Australia[AUS], Canadian[CDN], europa[EU], Great Britain[UK], United States of America[USA]
1	B063854	***RH Collecteur échapp.	1	LAND:Japan[J]
2	887847	Buis uitlaat li	1	LAND:Australia[AUS], Canadian[CDN], europa[EU], Great Britain[UK], United States of America[USA]
2	B063855	***LH Collecteur échapp.	1	LAND:Japan[J]
3	B063022	Verbinding collectoren uitlaat	1	
4	883294	Band geluiddemper li	1	
5	GU19025280	Pakking	2	
6	GU19025460	Afstandhouder	4	
7	GU32121010	Moer	2	
8	GU03013800	Sluitring 6,4x12	4	
9	GU31121880	Moer	4	
10	884137	Geluiddemper li	1	
11	884136	Geluiddemper re	1	
12	978385	Klemmetje	2	
13	883297	Plaat re	1	
14	883298	Plaat li	1	
15	883293	Band geluiddemper re	1	
16	AP8144071	Rubbertje uitlaat	4	
17	GU98680440	Binnenzeskantbout M8x40	2	
18	AP8134378	Huls bevestiging geluiddemper	2	
19	GU92640508	Moer M8	6	
20	254485	Spring plate M6	2	
21	896110	Lambdasonde l.660 mm	2	
22	AP8121072	Afstandhouder	2	
23	GU91113826	Beslagring	2	
24	AP8120870	Isolerende sluitring	4	

<b>Groep</b>	FRAME
<b>Code</b>	33.23
<b>Beschrijving</b>	Exhaust unit
<b>Revisie</b>	1



Pos.	Code	Beschrijving	Aant.	Varianten
25	883704	Hittewer.bescherming uitlaat	2	
26	GU93301175	Beugel	1	
27	GU98210612	Bolbout met binnenzeskant, geflenst M6x12	4	

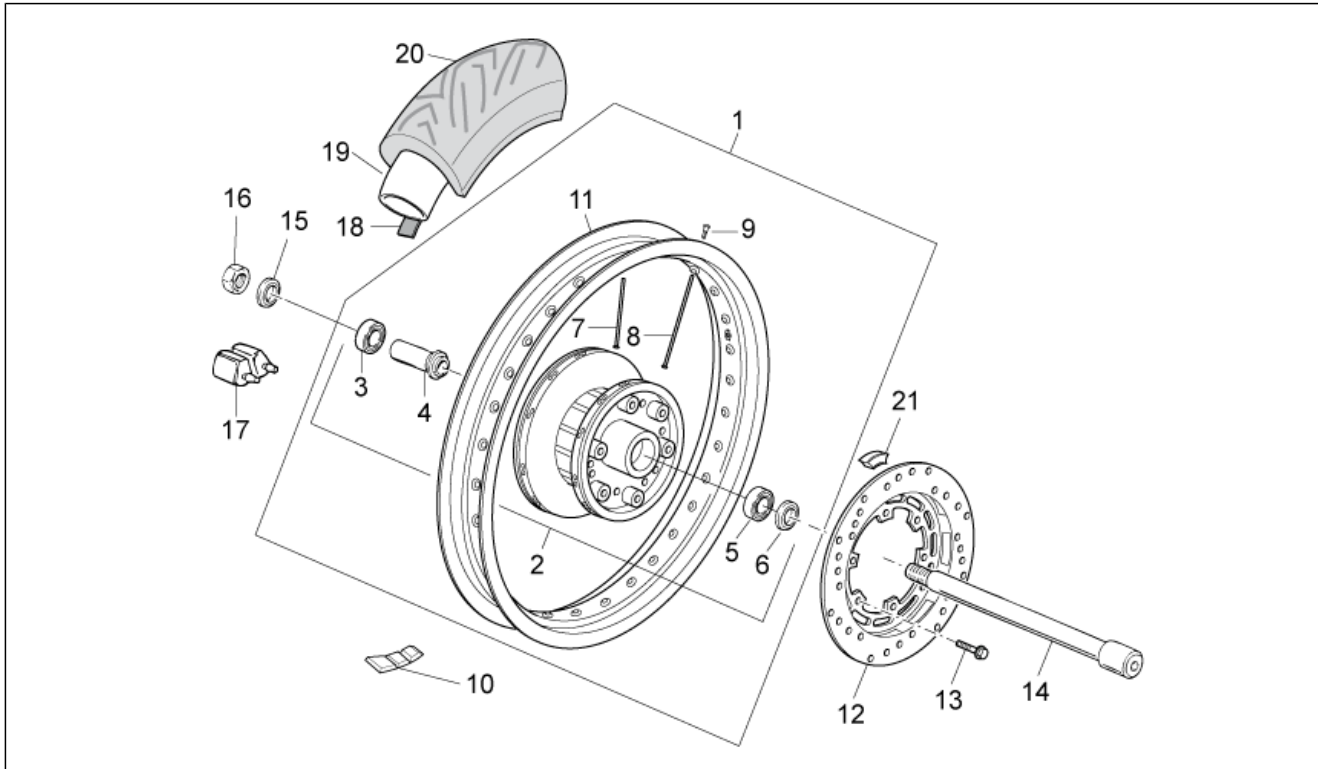
<b>Groep</b>	FRAME
<b>Code</b>	33.24
<b>Beschrijving</b>	Front wheel I
<b>Revisie</b>	1



Pos.	Code	Beschrijving	Aant.	Varianten
1	887859	Voorwiel cpl. 2,5x18"	1	
2	GU32613160	Voornaaf	1	
3	B063144	Spaak voorwiel	36	
4	GU03631250	Nippels	36	
5	887858	Voorvelg 2,5x18"	1	
6	GU31615283	Afstandhouder lagere	1	
7	GU92204221	Lager	2	
8	GU90402642	Dichtingsring	1	
9	GU31614183	Pin voorwiel	1	
10	883688	Remschijf voor 320	1	
11	AP8152286	Zeskantbout geflenst M8x20	6	
12	GU31616384	Afstandhouder li	1	
13	GU93180111	Dop 15 mm	1	
14	GU32615660	Afstandhouder re	1	
15	GU14616150	Tegengewicht	1	
16	GU03612040	Tyre flap	1	
17	GU31610160	Binnenband MB 18	1	
18	886679	Tyre 100/90 18	1	

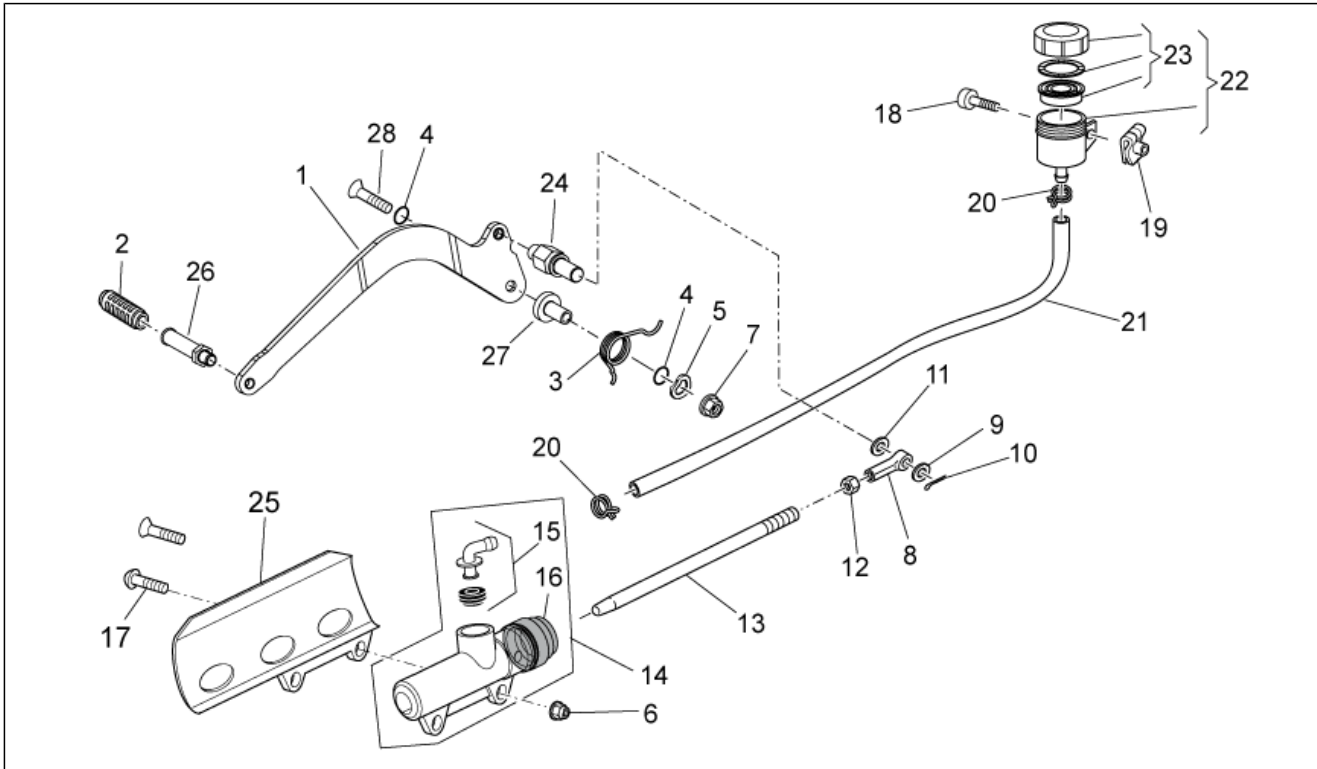


<b>Groep</b>	FRAME
<b>Code</b>	33.25
<b>Beschrijving</b>	Rear wheel I
<b>Revisie</b>	1



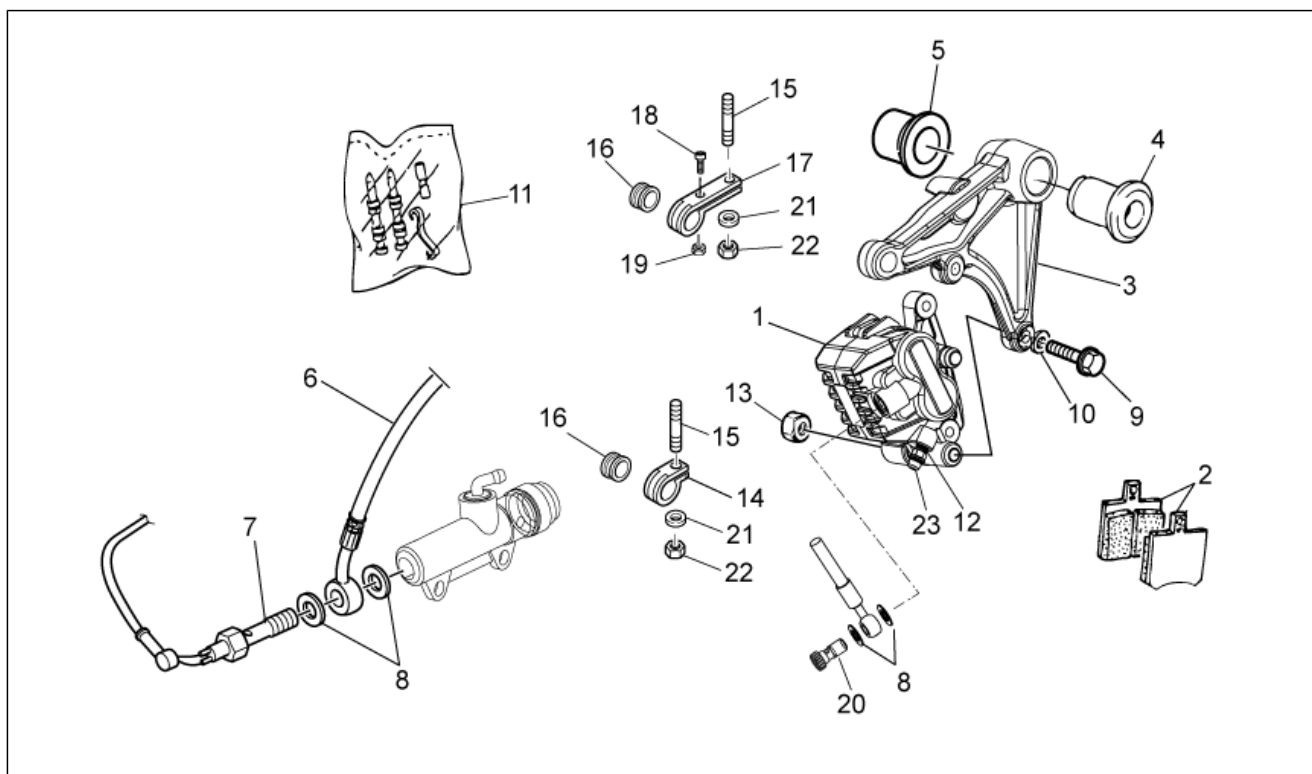
Pos.	Code	Beschrijving	Aant.	Varianten
1	887861	Achterwiel cpl. 3,5X17"	1	
2	GU32692260	Naaf	1	
3	GU92204218	Lager	1	
4	GU27633910	Afstandhouder	1	
5	GU92204217	Lager	1	
6	GU90402538	Dichtingsring 25x40x7	1	
7	883350	Spaak kort	18	
8	883349	Spaak lang mm 158	18	
9	GU03631250	Nippels	36	
10	GU14616150	Tegengewicht	1	
11	887862	Cerchio ruota posteriore 3,5X17"	1	
12	887448	Remschijf	1	
13	894505	Zeskantbout geflenst M8x18	6	
14	GU32633360	Pin achterwiel	1	
15	GU31634481	Sluitring	1	
16	GU92606316	Moer M16x1,5	1	
17	GU32632510	Element schokbesch.	6	
18	GU28612033	Tyre flap	1	
19	GU30630430	Binnenband MD 17	1	
20	886680	Tyre 130/80 17	1	
21	GU32636160	Rubber	1	

<b>Groep</b>	FRAME
<b>Code</b>	33.26
<b>Beschrijving</b>	Rear master cylinder
<b>Revisie</b>	1



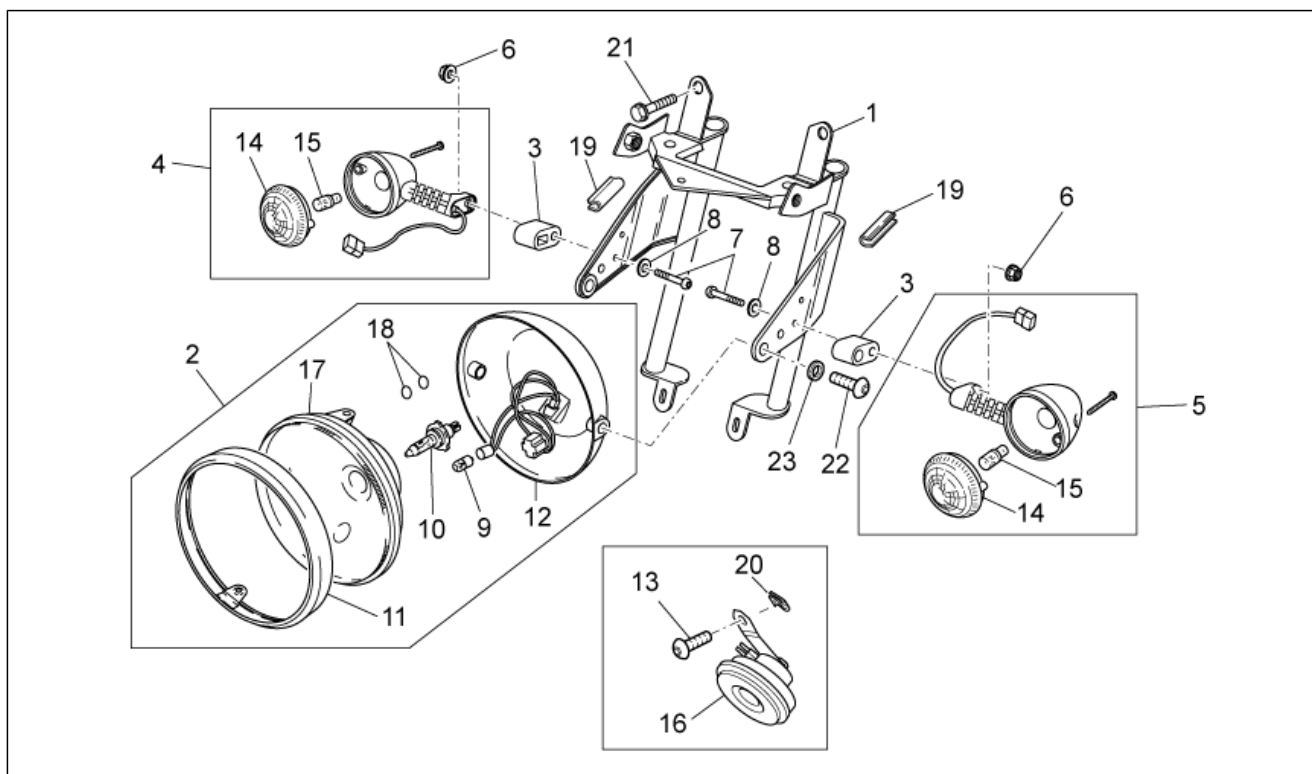
Pos.	Code	Beschrijving	Aant.	Varianten
1	887910	Remhendel	1	
2	AP8120912	Rubbertje voor hendel	1	
3	978969	Veer	1	
4	AP8144007	OR-ring 11,11x1,78	2	
5	GU95005310	Sluitring 8,4x18x2	1	
6	GU92630206	Moer M6x1	2	
7	GU92660021	Moer geflenst M8	1	
8	GU18257551	Blokje	1	
9	GU95005311	Sluitring	1	
10	GU95500221	Splitpen	1	
11	GU03270300	Sluitring 8,4x15	1	
12	GU92609007	Moer	1	
13	978970	Staaft pomp rem	1	
14	AP8133643	Pomp achterrem	1	
15	AP8213057	Verbinding pomp acht.	1	
16	AP8113288	Blower van rubber	1	
17	GU98370625	Bolbout met binnenzeskant	2	
18	AP8152298	Bolbout met binnenzeskant, geflenst M5x16	1	
19	248419	Spring plate m5	1	
20	AP8101594	Klemmetje D10,1*	2	
21	GU00823950050	Olieleiding	1	
22	AP8113241	Oliereservoir remmen cpl.	1	
23	AP8113553	Tankdop	1	
24	887911	Pin remhendel	1	
25	GU01665410	Bescherming rempomp zwart	1	
26	887908	Pedaaltje	1	
27	887952	Huls hendel achterrem	1	
28	B063443	Binnenzeskantbout met verzonken kop M8x50	1	

<b>Groep</b>	FRAME
<b>Code</b>	33.27
<b>Beschrijving</b>	Rear brake caliper
<b>Revisie</b>	1



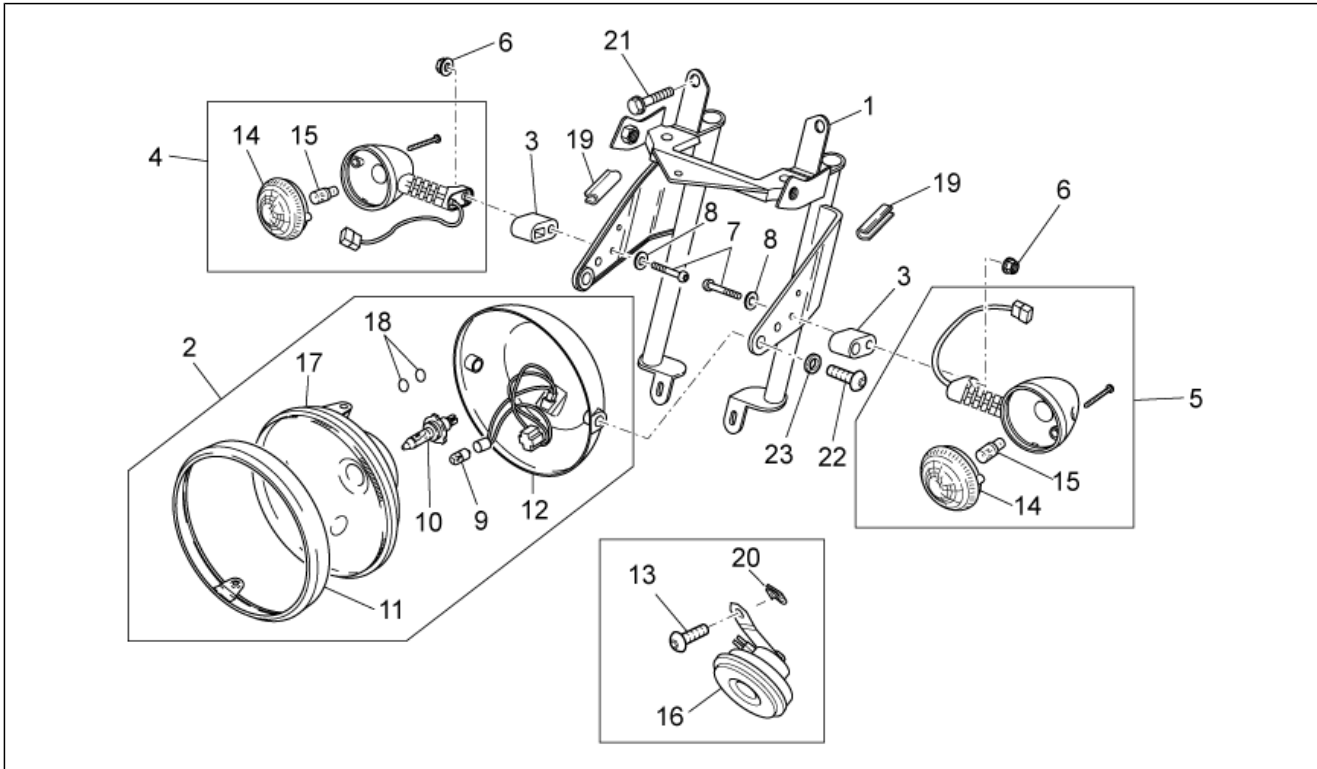
Pos.	Code	Beschrijving	Aant.	Varianten
1	887449	Tang van de achterrem	1	
2	AP8133798	Pastilles - koppel	1	
3	887431	Brake caliper support plate	1	
4	GU31634281	Beslagring	1	
5	GU32634160	Afstandhouder	1	
6	887457	Buis achterrem	1	
7	883192	Hydraulische schakelaar	1	
8	AP8121915	Pakking	4	
9	AP8152288	Zeskantbout geflenst	2	
10	GU03270300	Sluitring 8,4x15	2	
11	AP8133799	Pinnen+Veren tang	1	
12	AP8133800	Ontluchting	1	
13	AP8152300	Zelfborg.bout gefl. M8	2	
14	GU03658430	Klemmetje	1	
15	GU96451316	Stiftbout	1	
16	GU03658201	Ring	2	
17	GU03658330	Klemmetje	1	
18	GU98257410	Bout	1	
19	GU92630104	Moer M4x0,7	1	
20	AP8113003	Bout olieleiding *	1	
21	GU95008306	Sluitring 6,4x12x1,2	2	
22	AP8152299	Zelfborg.bout gefl. M6	2	
23	AP8213575	Kapje ontluchting	1	

<b>Groep</b>	FRAME
<b>Code</b>	33.28
<b>Beschrijving</b>	Front lights
<b>Revisie</b>	1



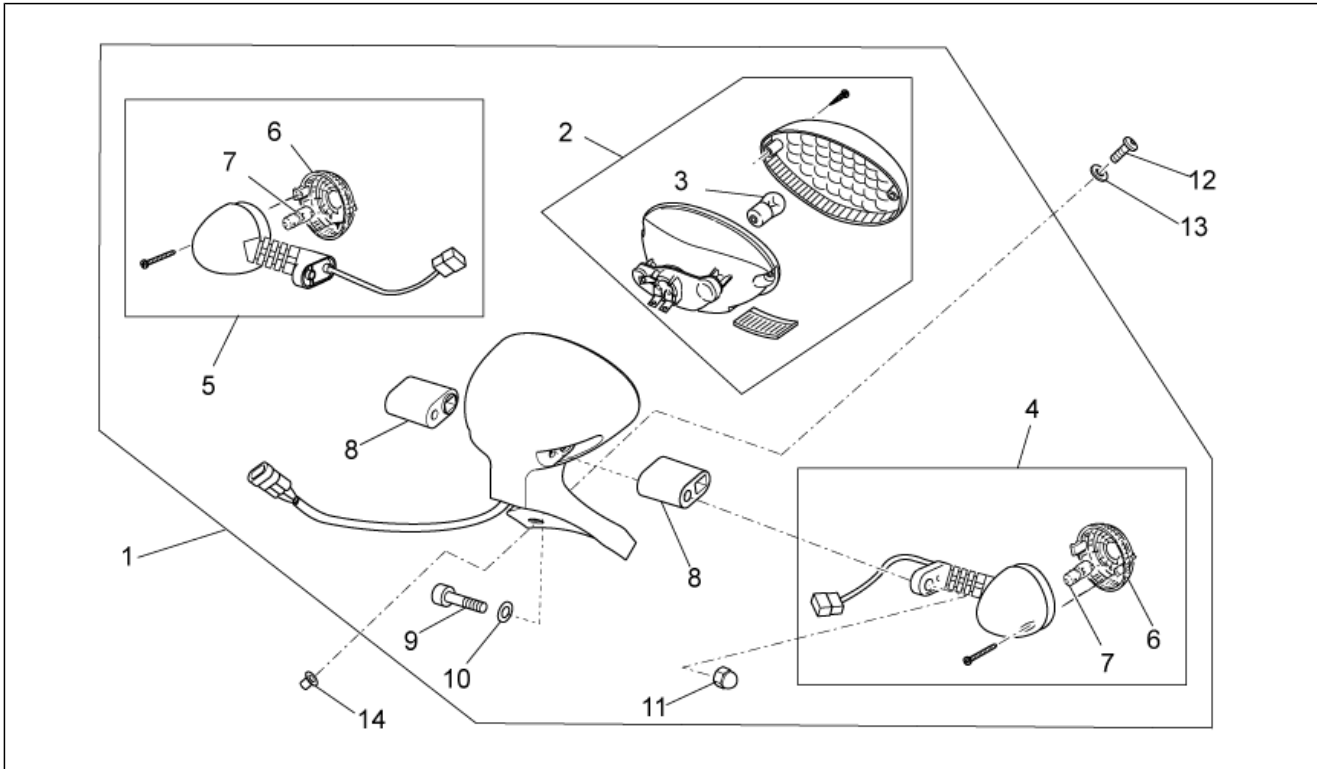
Pos.	Code	Beschrijving	Aant.	Varianten
1	GU32506360	Steunbeugel licht	1	
2	978311	Voorlicht	1	LAND:Canadian[CDN], europa[EU], United States of America[USA] Technical Specifications:Versione "Stone"[ST]
2	978662	Voorlicht m/o geleider li	1	LAND:Australia[AUS], Japan[J] Technical Specifications:Versione "Stone"[ST]
2	GU06740500	Voorlicht	1	LAND:Canadian[CDN], europa[EU], United States of America[USA] Technical Specifications:Versione "Special"[SP]
2	GU06740501	Voorlicht m/o geleider li	1	LAND:Australia[AUS], Japan[J] Technical Specifications:Versione "Special"[SP]
3	GU32753410	Afstandhouder	2	
4	887826	Richt.aanw. voor.re/acht.li	1	LAND:Australia[AUS], europa[EU], Japan[J]
4	B063800	Richtingsaanw.voor.re	1	LAND:Canadian[CDN], United States of America[USA]
5	887827	Richt.aanw. voor.li/acht.re	1	LAND:Australia[AUS], europa[EU], Japan[J]
5	B063801	Richtingaanw. voor. li	1	LAND:Canadian[CDN], United States of America[USA]
6	GU92787006	Moer blind M6x1	2	
7	GU98370655	Bolbout met binnenzeskant	2	
8	GU95021206	Sluitering	2	
9	GU93450105	Lamp	1	
10	GU93450232	Lamp 12V-55/60W	1	
11	GU31740383	Moer verchr.	1	
12	981149	Cap, black	1	Technical Specifications:Versione "Stone"[ST]
12	GU06740200	Kap verchr. voorlicht	1	Technical Specifications:Versione "Special"[SP]
13	AP8150377	Bout	2	
14	B063735	Glas richtingaanw.	2	
15	GU93450126	Lamp oranje	2	
16	890979	Claxon	1	
17	GU06740400	Optische groep	1	LAND:europa[EU]

<b>Groep</b>	FRAME
<b>Code</b>	33.28
<b>Beschrijving</b>	Front lights
<b>Revisie</b>	1



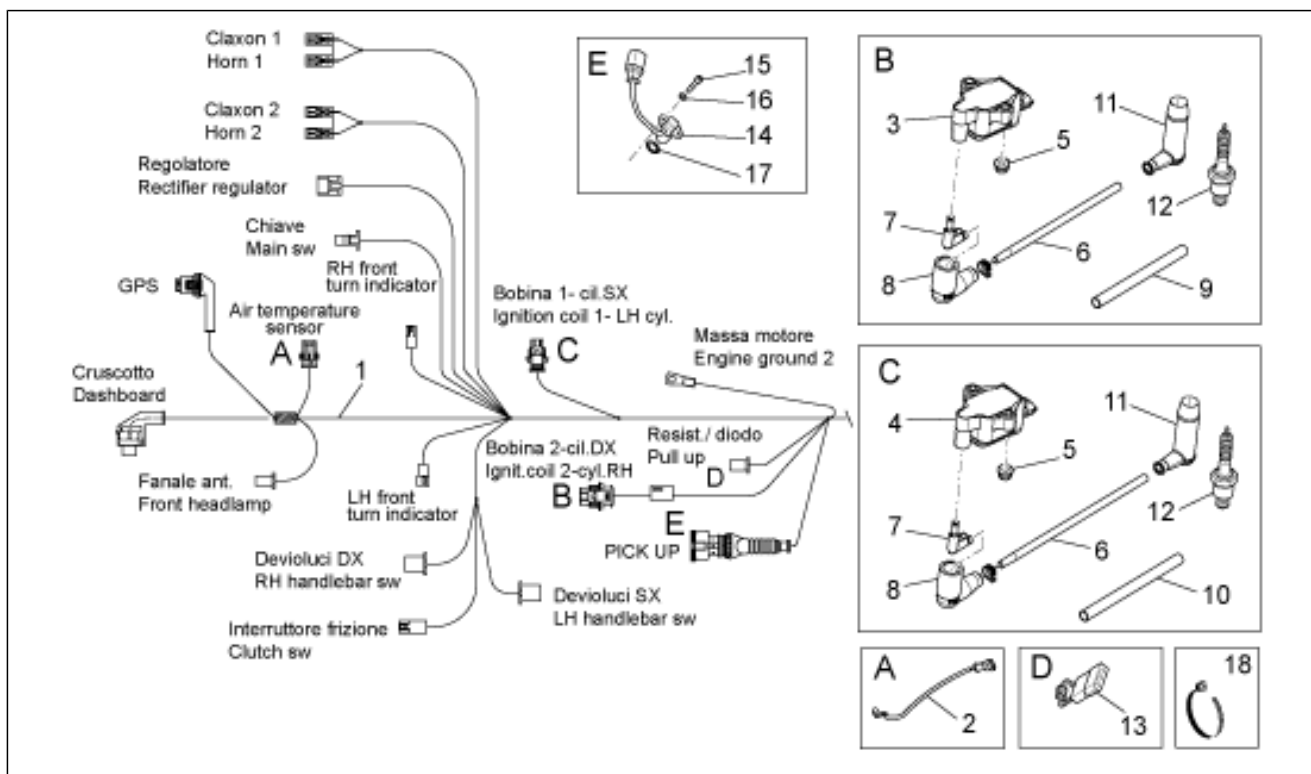
Pos.	Code	Beschrijving	Aant.	Varianten
				<b>Technical Specifications:</b> Versione "Special"[SP], Versione "Stone"[ST]
17	GU06740401	Optische groep m/o geleider li	1	<b>LAND:</b> Australia[AUS], Japan[J] <b>Technical Specifications:</b> Versione "Special"[SP]
18	883417	OR-ring	2	
19	GU00823931055	Pakking	1	
20	254485	Spring plate M6	2	
21	GU98880540	Bout M10x40	2	
22	GU98370831	Bolbout met binnenzeskant M8x30	2	
23	GU95005308	Sluitring 8,4x14,57x1,6	2	

<b>Groep</b>	FRAME
<b>Code</b>	33.29
<b>Beschrijving</b>	Rear lights
<b>Revisie</b>	1



Pos.	Code	Beschrijving	Aant.	Varianten
1	883479	Achterlicht cpl.	1	LAND:Canadian[CDN], United States of America[USA]
1	887877	Achterlicht cpl.	1	LAND:Australia[AUS], europa[EU]
2	GU03740930	Achterlicht	1	
3	GU93450224	Lamp	1	
4	887826	Richt.aanw. voor.re/acht.li	1	LAND:Australia[AUS], europa[EU]
4	GU32750661	Richt.aanw. voor.re/acht.li	1	LAND:Canadian[CDN], United States of America[USA]
5	883478	Richt.aanw. voor.li/acht.re	1	LAND:Canadian[CDN], United States of America[USA]
5	887827	Richt.aanw. voor.li/acht.re	1	LAND:Australia[AUS], europa[EU]
6	B063735	Glas richtingaanw.	2	LAND:Australia[AUS], europa[EU]
6	GU32753711	Glas richtingaanw.	1	LAND:Canadian[CDN], United States of America[USA]
7	GU93450126	Lamp oranje	2	LAND:Australia[AUS], europa[EU]
7	GU93450127	Lamp	1	LAND:Canadian[CDN], United States of America[USA]
8	GU32753410	Afstandhouder	2	
9	GU98370655	Bolbout met binnenzeskant	2	
10	GU95021206	Sluitring	2	
11	GU92787006	Moer blind M6x1	2	
12	GU98350215	Bolbout met binnenzeskant	3	
13	GU30577800	Sluitring in nylon 5,5X12X1	3	
14	GU93231605	Huls antitrilling	3	

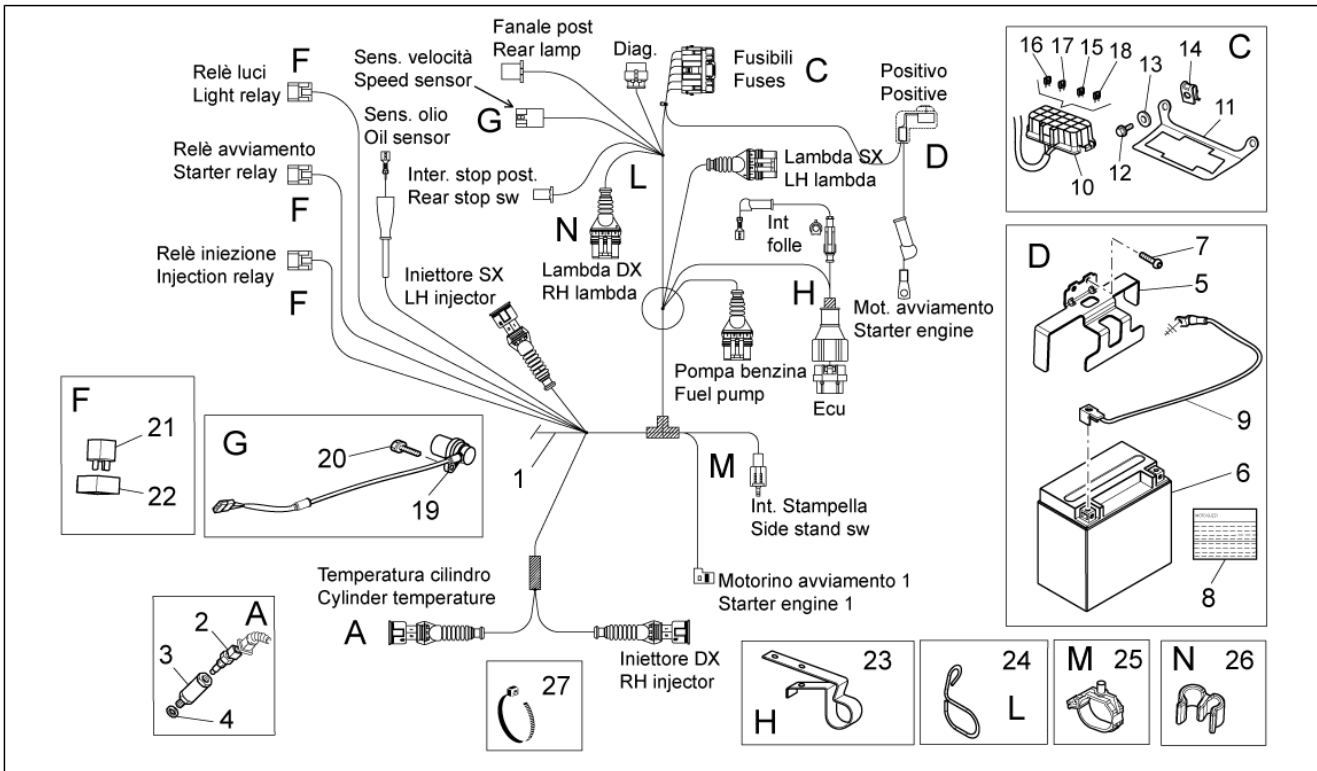
<b>Groep</b>	FRAME
<b>Code</b>	33.30
<b>Beschrijving</b>	Electrical system I
<b>Revisie</b>	1



Pos.	Code	Beschrijving	Aant.	Varianten
1	887825	Hoofdzakelijke bekabeling	1	
2	AP8124936	Sensor luchttemperatuur	1	
3	642034	H.S. bobine DX	1	
4	641901	H.S. bobine SX	1	
5	AP8152299	Zelfborg.bout gefl. M6	4	
6	080341	H.S. kabel	2	
7	641725	Terminale A.T.	2	
8	641040	Isolerend kapje	2	
9	CM007423	Gaine kabel zwart	1	
10	CM0074C9	Guaina cavo grigia	1	
11	GU02717450	Pipet bougie NGK	2	
12	828708	Bougie RG6YC (Champion)	2	
12	887481	Bougie NGK CPR8EB-9	2	
13	887948	Diode	1	
14	GU01721600	Fasesensor	1	
15	GU98682212	Binnenzeskantbout M5x12	2	
16	GU95008205	Sluitring 5,3x10x0,8	2	
17	GU90706141	OR-ring	1	
18	AP8120416	Band zwart 178x4*	1	
18	GU14609650	Klemmetje 3,6x20,6	31	
18	GU49609601	Klemmetje 2,4x92	1	



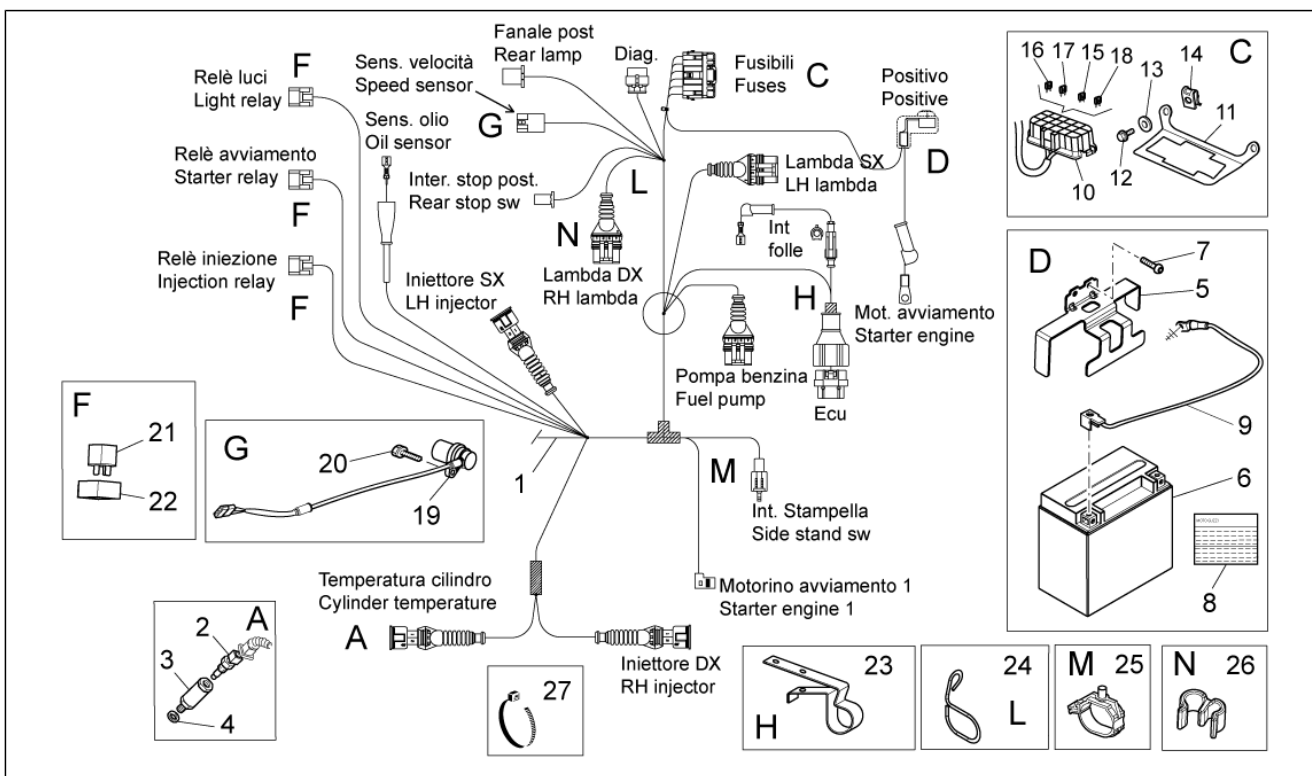
<b>Groep</b>	FRAME
<b>Code</b>	33.31
<b>Beschrijving</b>	Electrical system II
<b>Revisie</b>	1



Pos.	Code	Beschrijving	Aant.	Varianten
1	887825	Hoofdzakelijke bekabeling	1	
2	GU29729461	Temperatuursensor olie	1	
3	GU03163330	Steun sensor	1	
4	GU95004210	Sluitring 10,2x18x2	1	
5	B063233	Battery bracket	1	
6	638733	Accu Yuasa 12V-12Ah (150x85x145)	1	
7	GU98370616	Bolbout met binnenzeskant M6x16 inox	2	
8	GU32517710	Plaat "Battery service"	1	
9	GU32747910	Bekabeling massa-accu	1	
10	584211	Zekeringendoos	1	
11	883161	Steun zek.houder	1	
12	GU98682212	Binnenzeskantbout M5x12	2	
13	GU95100059	Sluitring 5,25x14x1,5	2	
14	AP8102375	Clip m5	2	
15	CM225705	Zekering 5A	2	
16	CM225710	Zekering 10A	1	
17	CM225715	Zekering 15A	2	
18	CM225730	Zekering 30A	1	
19	893570	Sensor snelheidsmeter cpl.	1	
20	AP8150377	Bout	1	
21	AP8224462	Relais 12V/30A	3	
22	AP8220283	Rubbetje *	3	
23	B043850	Klemmetje	1	
24	AP8181140	Kabelwartel	1	
25	CM013202	Molletta ritegno tubi/cavi	1	
26	894704	Kabelwartel	1	
27	AP8120416	Band zwart 178x4*	1	
27	GU14609650	Klemmetje 3,6x20,6	21	

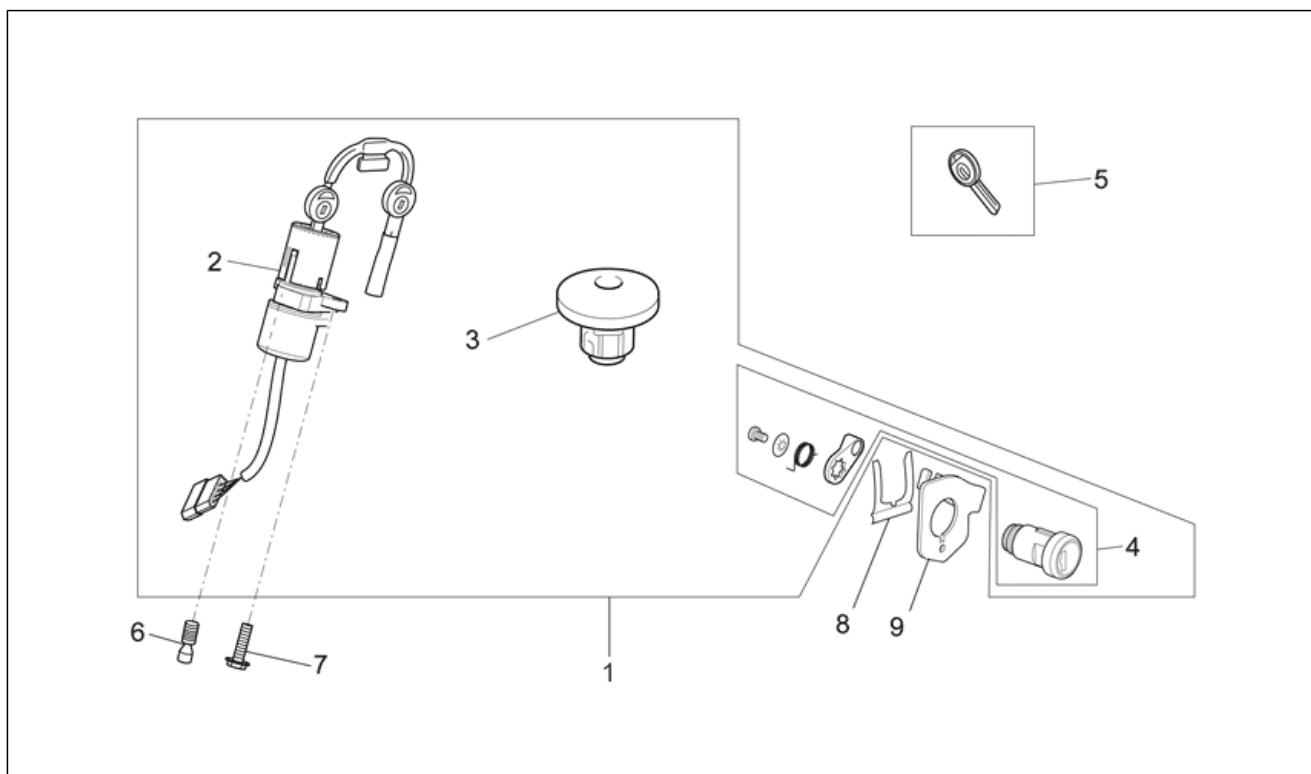


<b>Groep</b>	FRAME
<b>Code</b>	33.31
<b>Beschrijving</b>	Electrical system II
<b>Revisie</b>	1



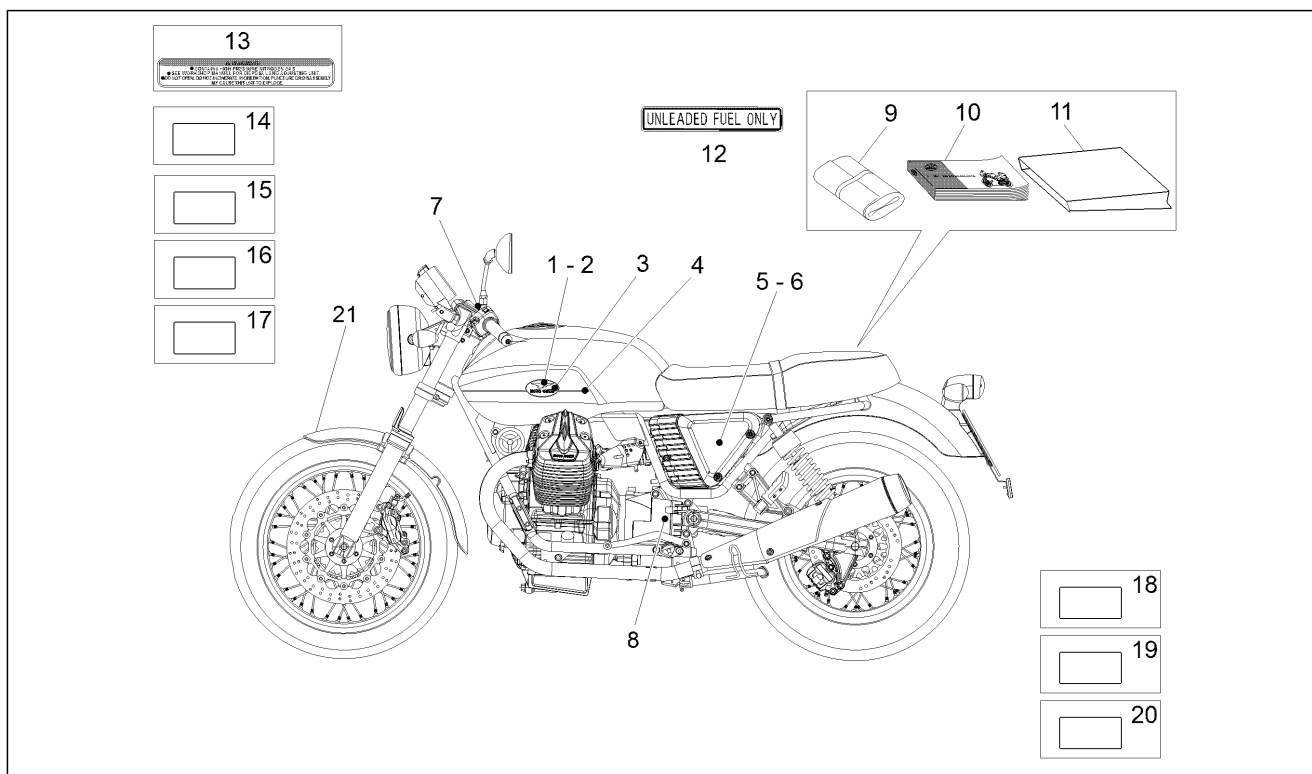
Pos.	Code	Beschrijving	Aant.	Varianten
27	GU49609601	Klemmetje 2,4x92	1	

<b>Groep</b>	FRAME
<b>Code</b>	33.32
<b>Beschrijving</b>	Lock hardware kit
<b>Revisie</b>	1



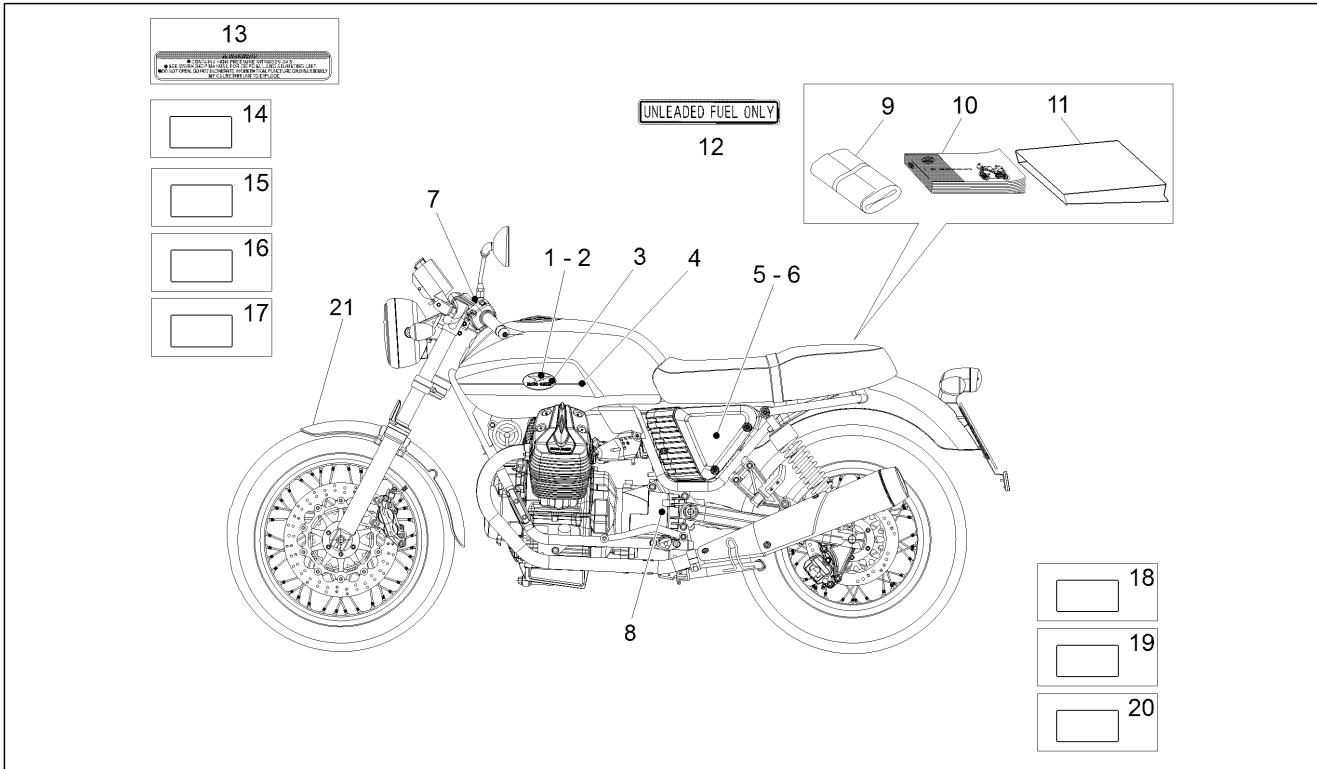
Pos.	Code	Beschrijving	Aant.	Varianten
1	883477	Kit sloten	1	LAND:Canadian[CDN], United States of America[USA]
1	887873	Kit sloten	1	LAND:Australia[AUS], europa[EU]
2	GU32782510	Starblokje-blokk.	1	
3	883476	Tankdop	1	LAND:Canadian[CDN], United States of America[USA]
3	887874	Tankdop	1	LAND:Australia[AUS], europa[EU]
4	977527	Zadelslot	1	
5	GU32735510	Sleutel glad ruw-dop go	1	
5	GU32735511	Sleutel glad ruw-dop cr	1	
6	AP8150349	Speciale bout M8x15	1	
7	GU98682416	Binnenzeskantbout M8x16	1	
8	AP8121420	Vorkveer	1	
9	978415	Plaatje steun kabel	1	

<b>Groep</b>	FRAME
<b>Code</b>	33.33
<b>Beschrijving</b>	Decal and plate set
<b>Revisie</b>	1



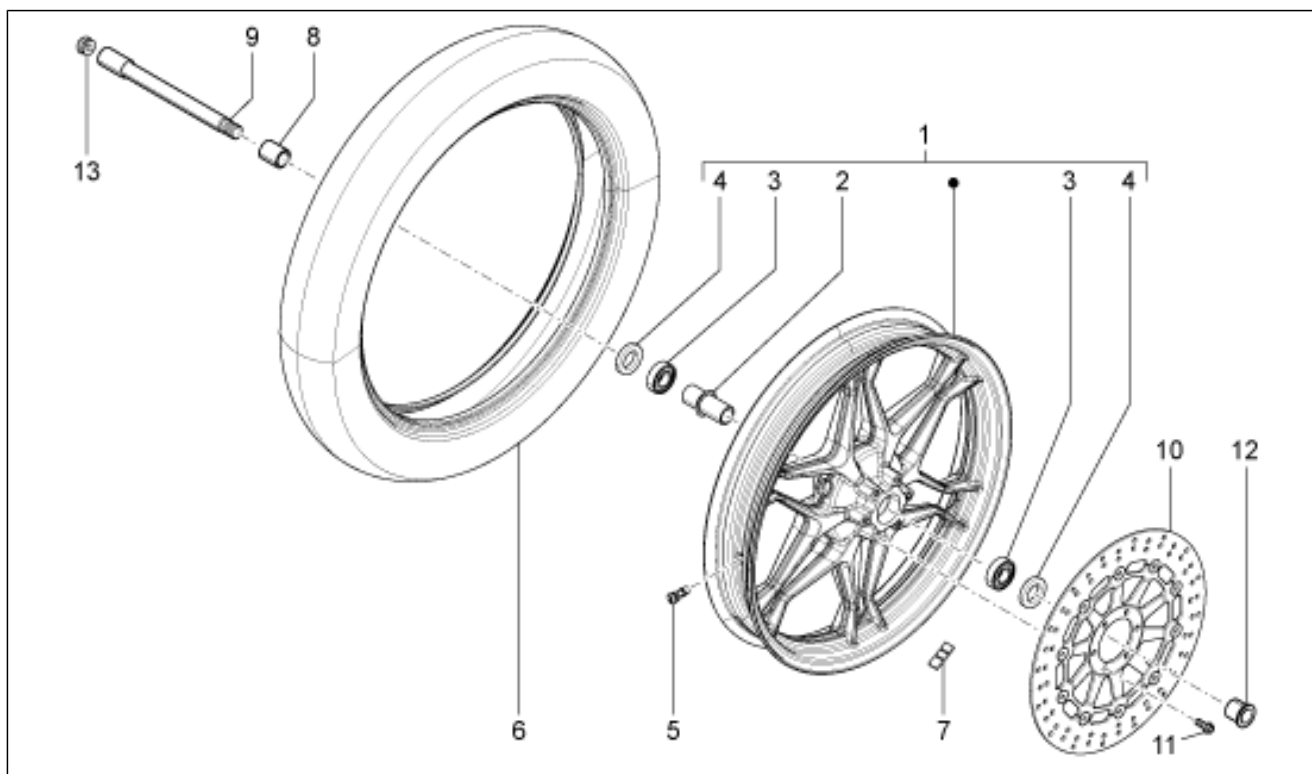
Pos.	Code	Beschrijving	Aant.	Varianten
1	886340	Plaatje re Aquila	1	Kleur van het voertuig: Bianco aprilia[ba], Diablo Black[nd] Technical Specifications: Versione "Stone"[ST]
1	GU06917300	Plaatje re rood/goud AL	1	Kleur van het voertuig: Nero/Giallo[n/gi], Red/White[r/bi] Technical Specifications: Versione "Special"[SP]
2	887930	Plaatje li Aquila	1	Kleur van het voertuig: Bianco aprilia[ba], Diablo Black[nd] Technical Specifications: Versione "Stone"[ST]
2	GU06917400	Plaatje li rood/goud AL	1	Kleur van het voertuig: Nero/Giallo[n/gi], Red/White[r/bi] Technical Specifications: Versione "Special"[SP]
3	887931	Plaatje "Moto Guzzi"	2	Kleur van het voertuig: Bianco aprilia[ba], Diablo Black[nd] Technical Specifications: Versione "Stone"[ST]
4	887926	Decalco schroefdr.grijs	2	Kleur van het voertuig: Red/White[r/bi] Technical Specifications: Versione "Special"[SP]
4	B063120	Decalco filetto argento	2	Kleur van het voertuig: Nero/Giallo[n/gi] Technical Specifications: Versione "Special"[SP]
5	887928	Decalco zijplaatje re "V7 Special"	1	Kleur van het voertuig: Red/White[r/bi] Technical Specifications: Versione "Special"[SP]
5	887933	Decalco zijplaatje re "V7"	1	Kleur van het voertuig: Bianco aprilia[ba], Diablo Black[nd] Technical Specifications: Versione "Stone"[ST]
5	B063121	Decalco zijplaatje re "V7 Special"	1	Kleur van het voertuig: Nero/Giallo[n/gi] Technical Specifications: Versione "Special"[SP]
6	887929	Decalco zijplaatje li "V7 Special"	1	Kleur van het voertuig: Red/White[r/bi] Technical Specifications: Versione "Special"[SP]
6	887934	Decalco zijplaatje li "V7"	1	Kleur van het voertuig: Bianco aprilia[ba], Diablo Black[nd] Technical Specifications: Versione "Stone"[ST]
6	B063122	Decalco zijplaatje li "V7 Special"	1	Kleur van het voertuig: Nero/Giallo[n/gi] Technical Specifications: Versione "Special"[SP]
7	883598	Decalco "Aquila"	1	
8	895839	Targhetta "Eni"	2	
9	887443	Gereedschapstas	1	
10	887854	Boekje gebruik/ond. I-F-D-NL-E-UK	1	
10	B063252	Boekje gebruik/ond.-USA-	1	LAND: Canadian[CDN], United States of America[USA]

<b>Groep</b>	FRAME
<b>Code</b>	33.33
<b>Beschrijving</b>	Decal and plate set
<b>Revisie</b>	1



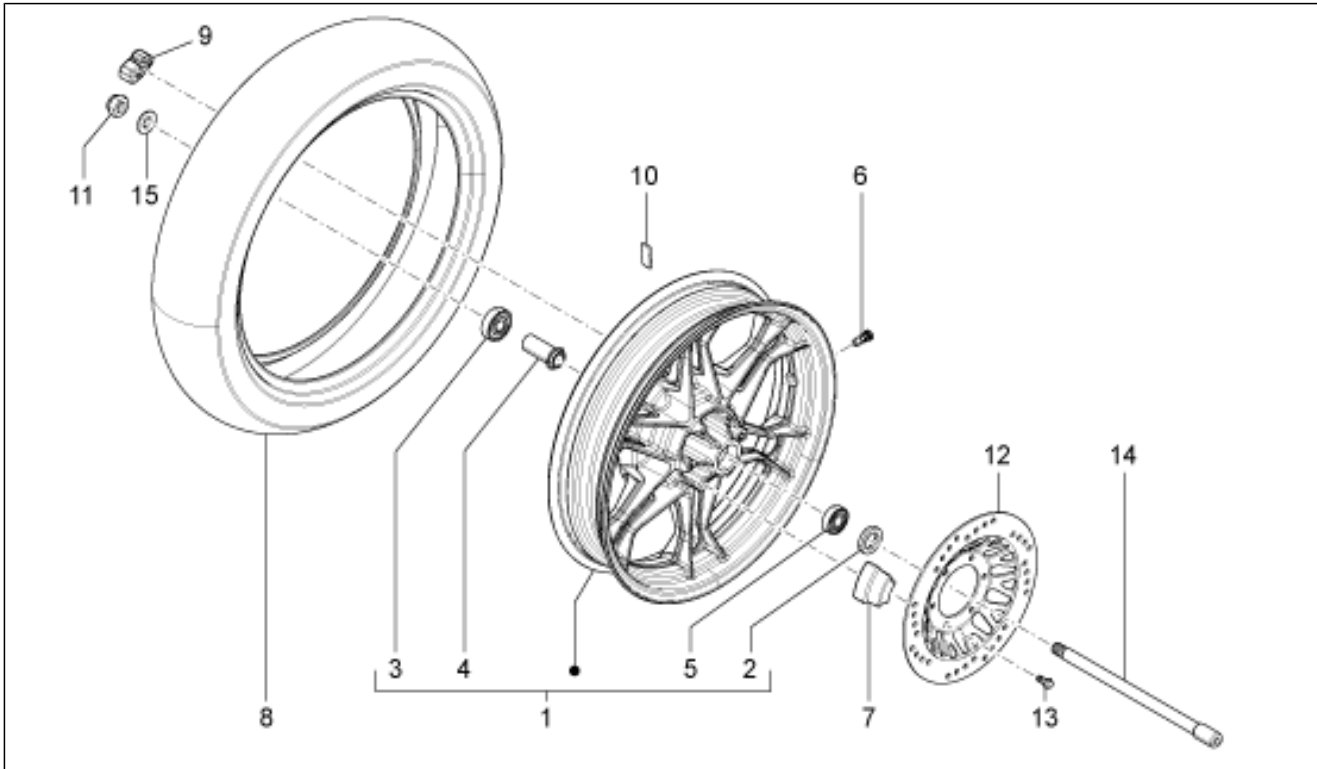
Pos.	Code	Beschrijving	Aant.	Varianten
11	GU05900130	Zakje voor documenten	2	
12	GU03995730	Plaat "Unleaded Fuelonly"	1	LAND:Australia[AUS]
13	AP8157100	Plaat Shock Adsorber	1	LAND:Canadian[CDN], United States of America[USA]
14	AP8257742	Keys warning decal	1	LAND:Canadian[CDN], United States of America[USA]
15	AP8257794	Battery decal	1	LAND:Canadian[CDN], United States of America[USA]
16	AP8257609	Mirror decal	1	LAND:Canadian[CDN], United States of America[USA]
17	B045974	Fuel decal E15	1	LAND:Canadian[CDN], United States of America[USA]
18	884346	Decalco koolfilter	1	LAND:Canadian[CDN], United States of America[USA]
19	884345	Decalco vervuilende emissie	1	LAND:Canadian[CDN], United States of America[USA]
20	884344	Decalco geluidsemissie	1	LAND:Canadian[CDN], United States of America[USA]
21	886141	Plaat "Aquila"	1	

<b>Groep</b>	FRAME
<b>Code</b>	33.34
<b>Beschrijving</b>	Front wheel II
<b>Revisie</b>	1



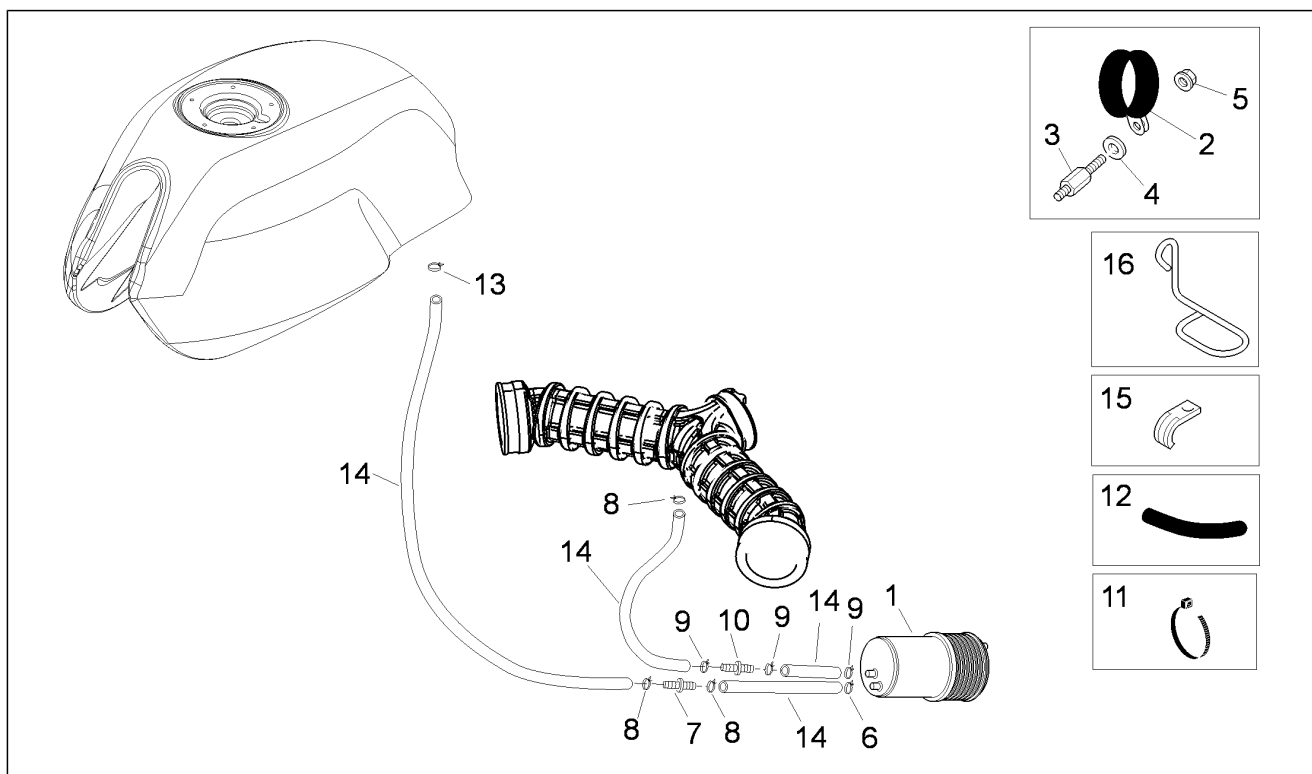
Pos.	Code	Beschrijving	Aant.	Varianten
1	887571	Wheel 2.5X18"	1	
2	GU31615283	Afstandhouder lagers	1	
3	GU92204221	Lager	2	
4	GU90402642	Dichtingsring	2	
5	GU03617710	Klep tubeless	1	
6	886679	Tyre 100/90 18	1	
7	GU14616150	Tegengewicht	1	
8	GU32615660	Afstandhouder re	1	
9	GU31614183	Pin voorwiel	1	
10	883688	Remschijf voor 320	1	
11	AP8152286	Zeskantbout geflenst M8x20	6	
12	GU31616384	Afstandhouder li	1	
13	GU93180111	Dop 15 mm	1	

<b>Groep</b>	FRAME
<b>Code</b>	33.35
<b>Beschrijving</b>	Rear wheel II
<b>Revisie</b>	1



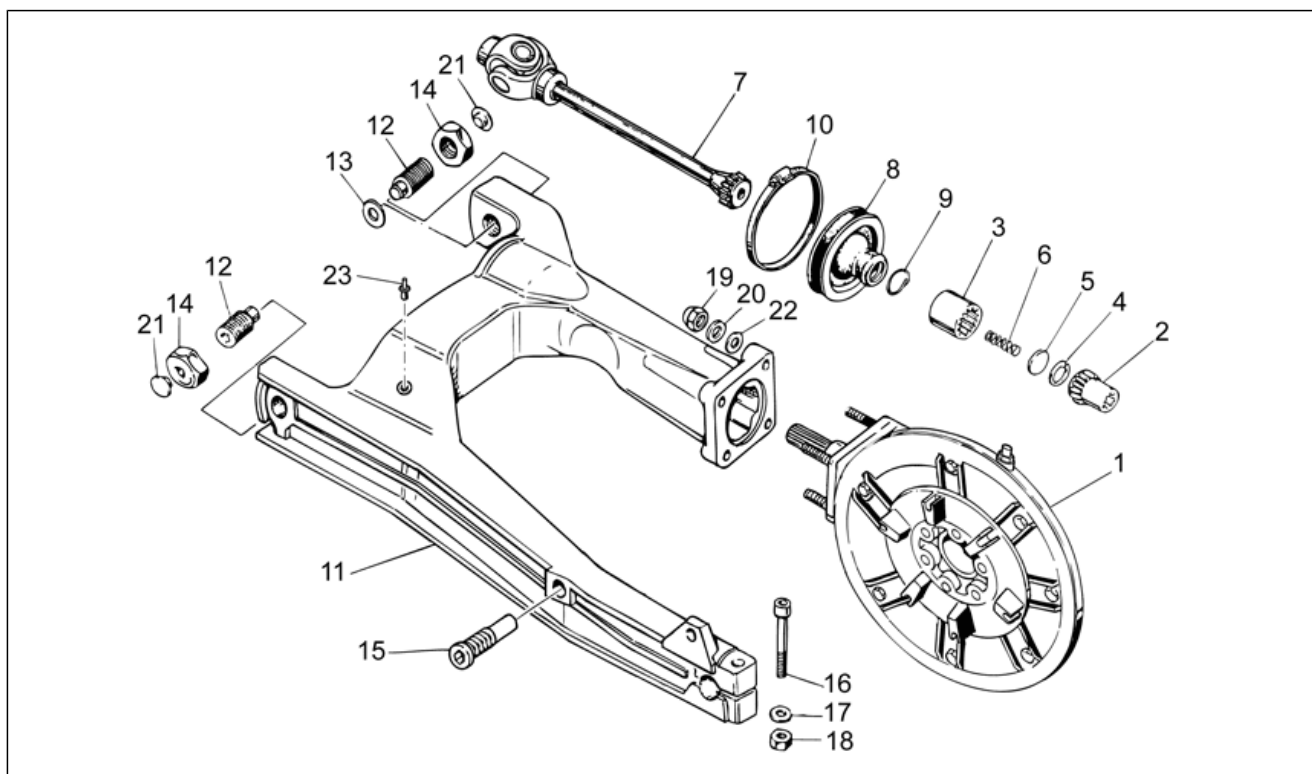
Pos.	Code	Beschrijving	Aant.	Varianten
1	887573	Wheel rim 3.5x17"	1	
2	GU90402538	Dichtingsring 25x40x7	1	
3	GU92204218	Lager	1	
4	GU27633910	Afstandhouder	1	
5	GU92204217	Lager	1	
6	GU03617710	Klep tubeless	1	
7	GU32636160	Rubber	1	
8	886680	Tyre 130/80 17	1	
9	GU32632510	Element schokbesch.	6	
10	GU14616150	Tegengewicht	1	
11	GU92606316	Moer M16x1,5	1	
12	887448	Remschijf	1	
13	894505	Zeskantbout geflenst M8x18	6	
14	GU32633360	Pin achterwiel	1	
15	GU31634481	Sluitring	1	

<b>Groep</b>	FRAME
<b>Code</b>	33.48
<b>Beschrijving</b>	Fuel vapour recover system
<b>Revisie</b>	1



Pos.	Code	Beschrijving	Aant.	Varianten
1	AP8102678	Koolfilter	1	LAND:United States of America[USA]
2	AP8102688	Klemmetje d.76	1	LAND:United States of America[USA]
3	GU32439260	Houder canister USA	1	LAND:United States of America[USA]
4	GU95005311	Sluitring	1	LAND:United States of America[USA]
5	AP8152299	Zelfborg.bout gefl. M6	1	LAND:United States of America[USA]
6	AP8102159	Klemmetje	1	LAND:United States of America[USA]
7	860138	Klep	1	LAND:United States of America[USA]
8	GU28157950	Klikband 12,5x8	4	LAND:United States of America[USA]
9	AP8120446	Klikbandje groen D11x6,6x1	2	LAND:United States of America[USA]
10	AP8121267	Eindstuk vernauw.	1	LAND:United States of America[USA]
11	AP8120416	Band zwart 178x4*	1	LAND:United States of America[USA]
12	GU00823923140	Thermische gaine	4	LAND:United States of America[USA]
13	AP8201358	Klemmetje D 11,9	1	LAND:United States of America[USA]
14	856063	Buis SAE 30 d.12,7x6,35	3	LAND:United States of America[USA]
15	GU93301313	Beugel	1	LAND:United States of America[USA]
16	AP8221114	Kabelgeleider	2	LAND:United States of America[USA]

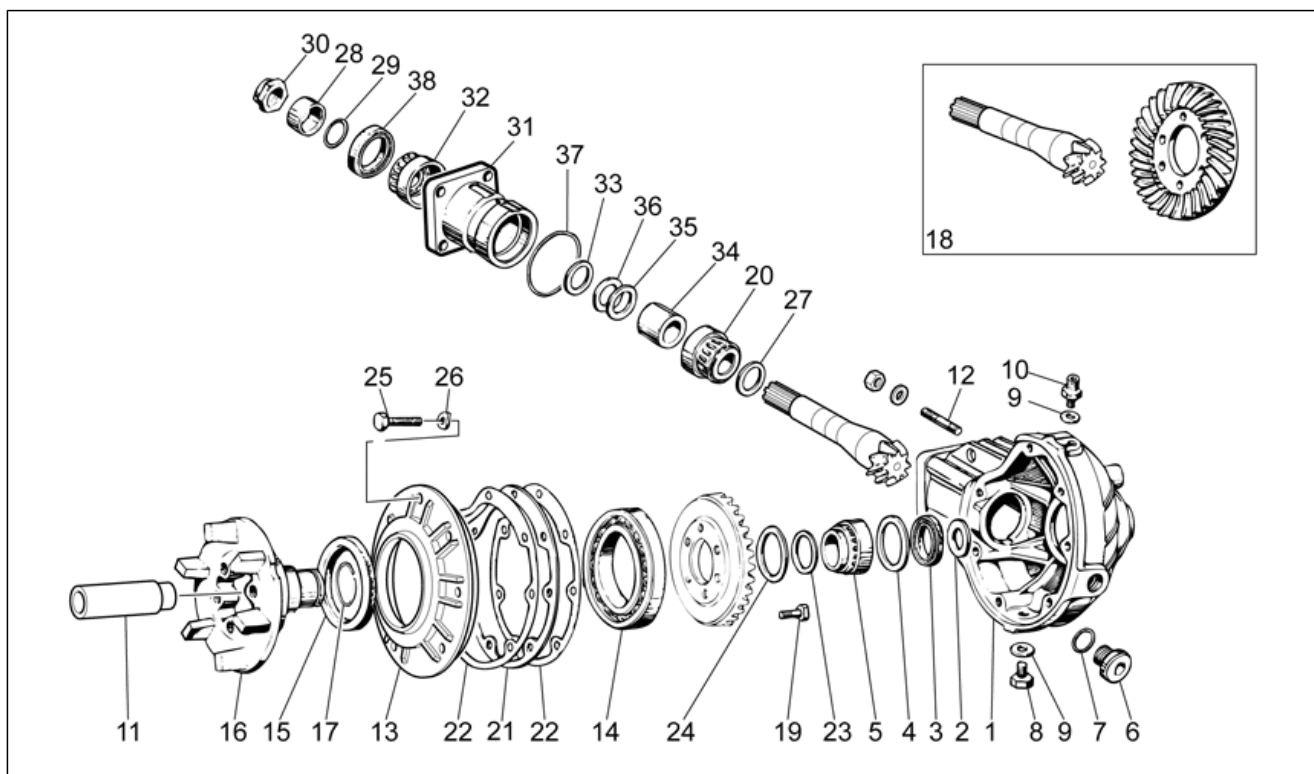
<b>Groep</b>	ENGINE
<b>Code</b>	34.09
<b>Beschrijving</b>	Transmission complete I
<b>Revisie</b>	1



Pos.	Code	Beschrijving	Aant.	Varianten
1	976941	Transmissiedoos cpl. zwart	1	
2	GU31327783	Mof	1	
3	GU19328801	Mof	1	
4	GU90272023	Seegerring	1	
5	GU19327601	Schijf	1	
6	GU94321099	Veer	1	
7	GU23328081	Cardankoppeling	1	
8	GU23548080	Besch.band	1	
9	GU23548180	Veer	1	
10	AP8120246	Klemmetje D=60-80	1	
11	883011	Vork zwart	1	
12	GU19547000	Pin	2	
13	GU35214300	Dikte	1	
14	GU31547882	Moer	2	
15	GU31544181	Pin	1	
16	GU98680545	Bout M10x45	1	
17	GU95008210	Sluitring 10,2X18X2	1	
18	GU92606210	Moer M10x1,5	1	
19	860651	Moer blind M8x1,25	4	
20	GU14615901	Sluitring 8,4X13X0,8	4	
21	GU93180105	Dop	2	
22	GU95005308	Sluitring 8,4x14,57x1,6	4	
23	GU03922280	Dop 5x9	1	

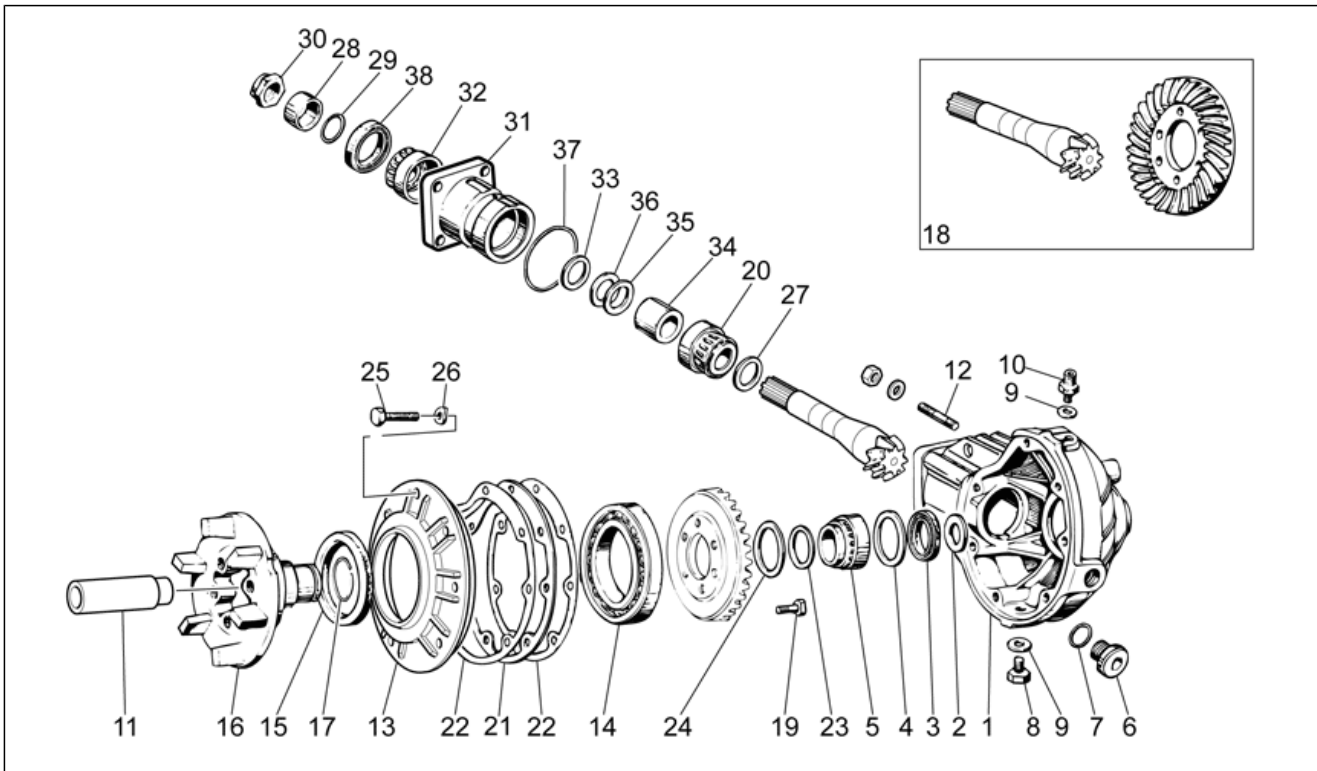


<b>Groep</b>	ENGINE
<b>Code</b>	34.10
<b>Beschrijving</b>	Transmission complete II
<b>Revisie</b>	1



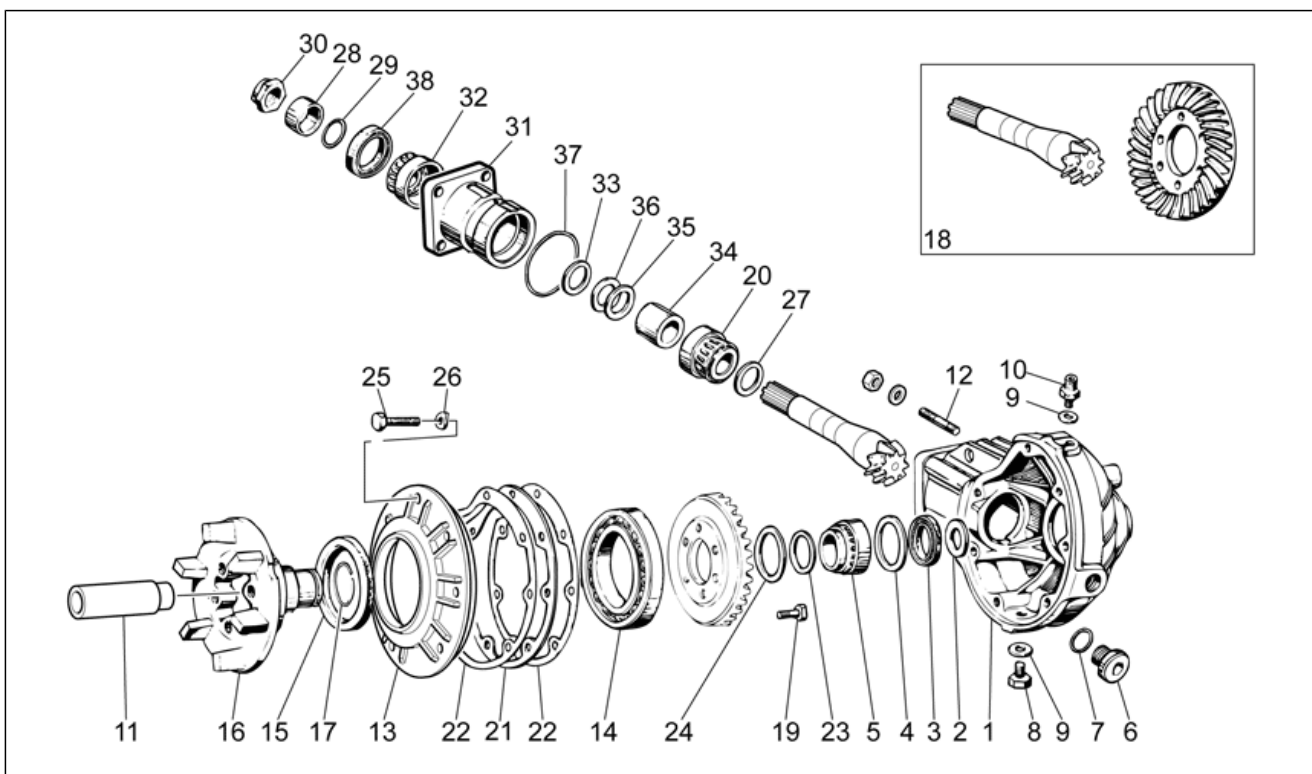
Pos.	Code	Beschrijving	Aant.	Varianten
1	976608	Doos transm. zwart	1	
2	GU19351900	Steunende sluitring	1	
3	GU90403549	Dichtingsring 35x47x7	1	
4	GU19351100	Steunende sluitring	1	
5	GU92252235	Rollager 35x50x17	1	
6	GU12022600	Oliedop	1	
7	GU90706203	OR-ring 20,24X2,62	1	
8	GU31003766	Afvoerdop olie M10x1	1	
9	GU01528930	Pakking 10x18x1,5	2	
10	GU19206501	Dop ontluchting	1	
11	GU32633560	Afstandhouder	1	
12	GU96508055	Stiftbout	4	
13	GU32350410	Bedekking	1	
14	GU92201070	Kogellager 70x110x13	1	
15	GU90407591	Dichtingsring 75x95x10	1	
16	GU32351410	Pin	1	
17	GU90353030	Blokkeerring	1	
18	GU32354610	Conisch koppel 8/33	1	
19	GU03067730	Bout M8x25	6	
20	GU92249227	Conische kogellager 25x5	1	
21	GU19355400	Dikte 0,8 mm	1	
21	GU19355402	Dikte 0,9 mm	1	
21	GU19355404	Dikte 1 mm	1	
21	GU19355406	Dikte 1,1 mm	1	
21	GU19355408	Dikte 1,2 mm	1	
21	GU19355410	Dikte 1,3 mm	1	
21	GU19355411	Dikte 1,4 mm	1	
21	GU19355412	Dikte 1,5 mm	1	

<b>Groep</b>	ENGINE
<b>Code</b>	34.10
<b>Beschrijving</b>	Transmission complete II
<b>Revisie</b>	1



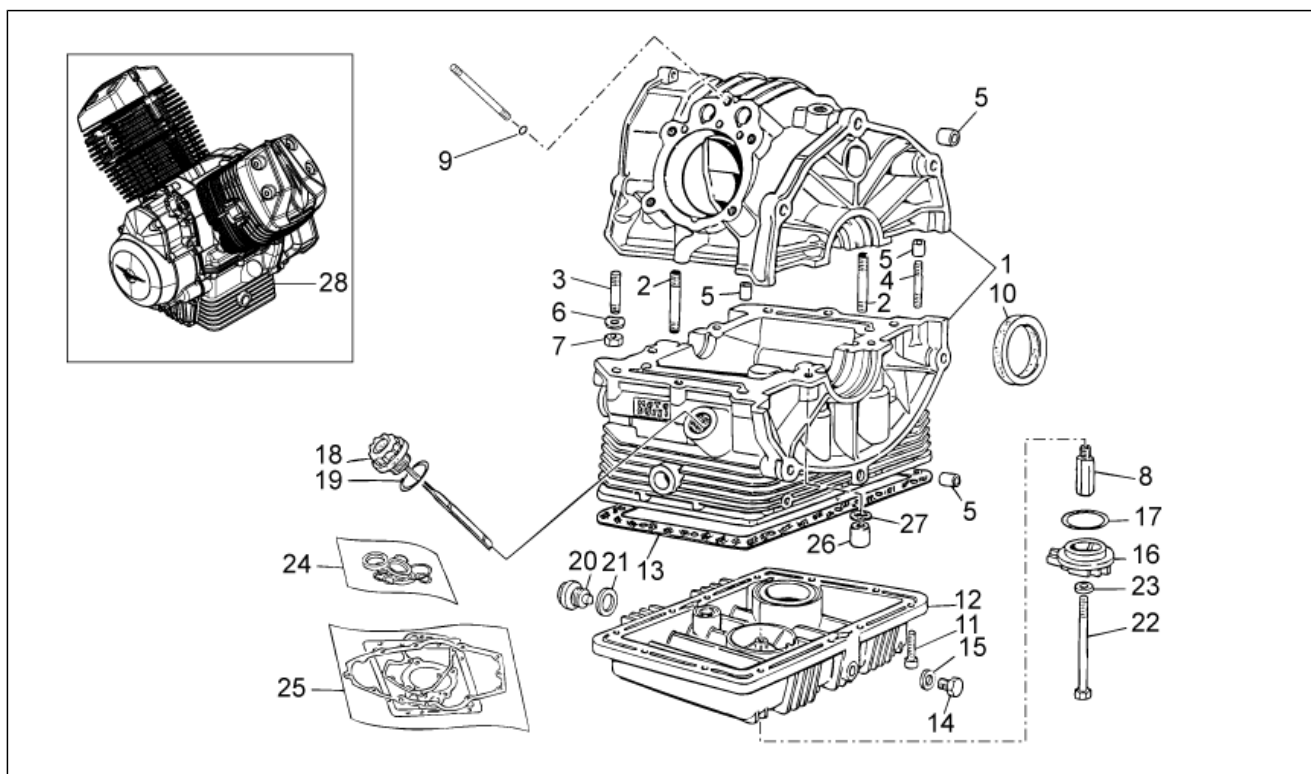
Pos.	Code	Beschrijving	Aant.	Varianten
21	GU19355413	Dikte 1,6 mm	1	
22	GU19350700	Pakking	2	
23	GU19352300	Schraapring	1	
24	GU19353500	Schraapring	1	
25	GU19357660	Bout	7	
26	GU61270300	Elastische sluitring 8x15x0,3	7	
27	GU19355320	Dikte 1 mm	1	
27	GU19355321	Dikte 1,1 mm	1	
27	GU19355322	Dikte 1,2 mm	1	
27	GU19355323	Dikte 1,3 mm	1	
27	GU19355324	Dikte 1,4 mm	1	
27	GU19355325	Dikte 1,5 mm	1	
27	GU19355326	Dikte 1,6 mm	1	
27	GU19355327	Dikte 1,7 mm	1	
27	GU19355328	Dikte 1,8 mm	1	
27	GU19355329	Dikte 1,9 mm	1	
28	GU19356801	Afstandhouder	1	
29	GU90706188	Dichtingsring 18,77X1,78	1	
30	GU19356700	Moer	1	
31	GU20352421	Cover	1	
32	GU92249220	Rollager 20x47x14	1	
33	GU19355300	Dikte 1 mm	1	
33	GU19355301	Dikte 1,1 mm	1	
33	GU19355302	Dikte 1,2 mm	1	
33	GU19355303	Dikte 1,3 mm	1	
33	GU19355304	Dikte 1,4 mm	1	
33	GU19355305	Dikte 1,5 mm	1	
33	GU19355306	Dikte 1,6 mm	1	

<b>Groep</b>	ENGINE
<b>Code</b>	34.10
<b>Beschrijving</b>	Transmission complete II
<b>Revisie</b>	1



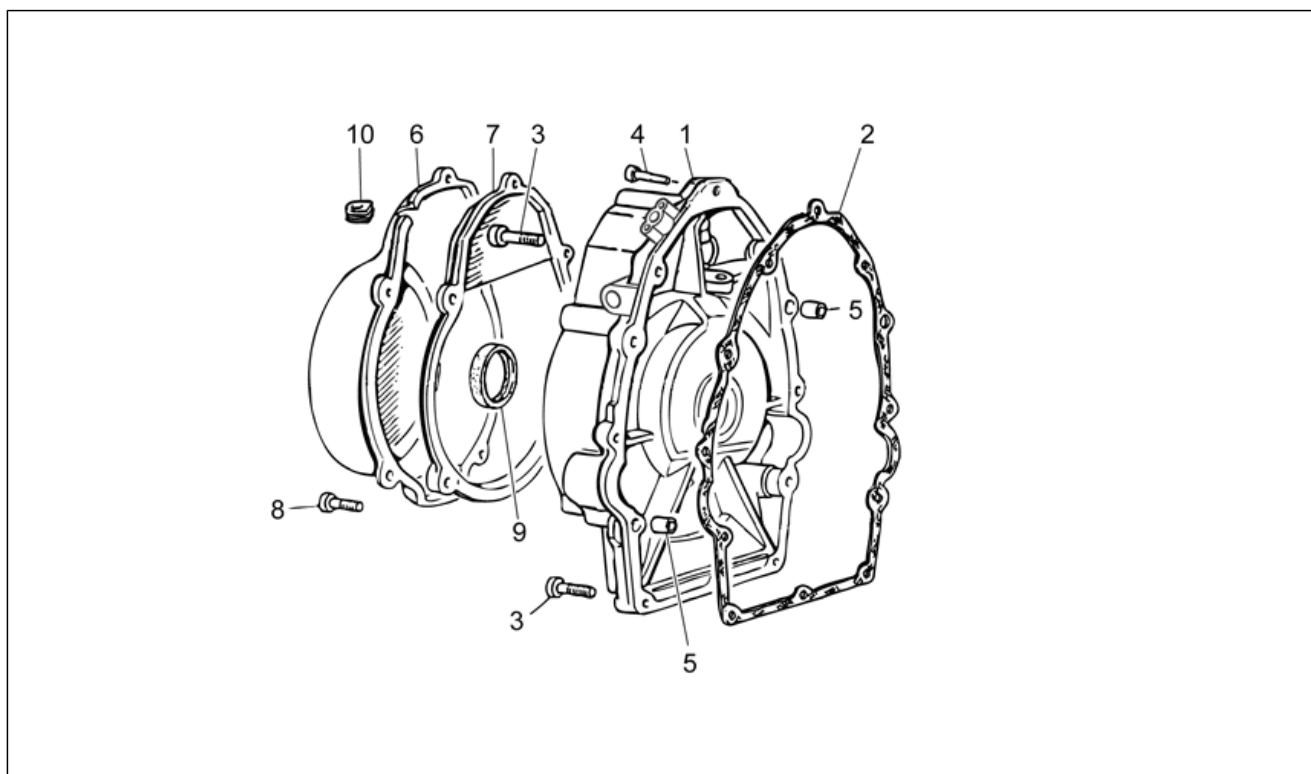
Pos.	Code	Beschrijving	Aant.	Varianten
33	GU19355307	Dikte 1,7 mm	1	
33	GU19355308	Dikte 1,8 mm	1	
33	GU19355309	Dikte 1,9 mm	1	
34	GU20355121	Afstandhouder	1	
35	GU19355200	Sluitring regel. 0,1 mm	1	
36	GU19355202	Sluitring regel. 0,15 mm	1	
37	GU90706584	Pakking 58,42x2,62	1	
38	GU90403251	Dichtingsring 32x47x10	1	

<b>Groep</b>	ENGINE
<b>Code</b>	34.34
<b>Beschrijving</b>	Crank-case
<b>Revisie</b>	1



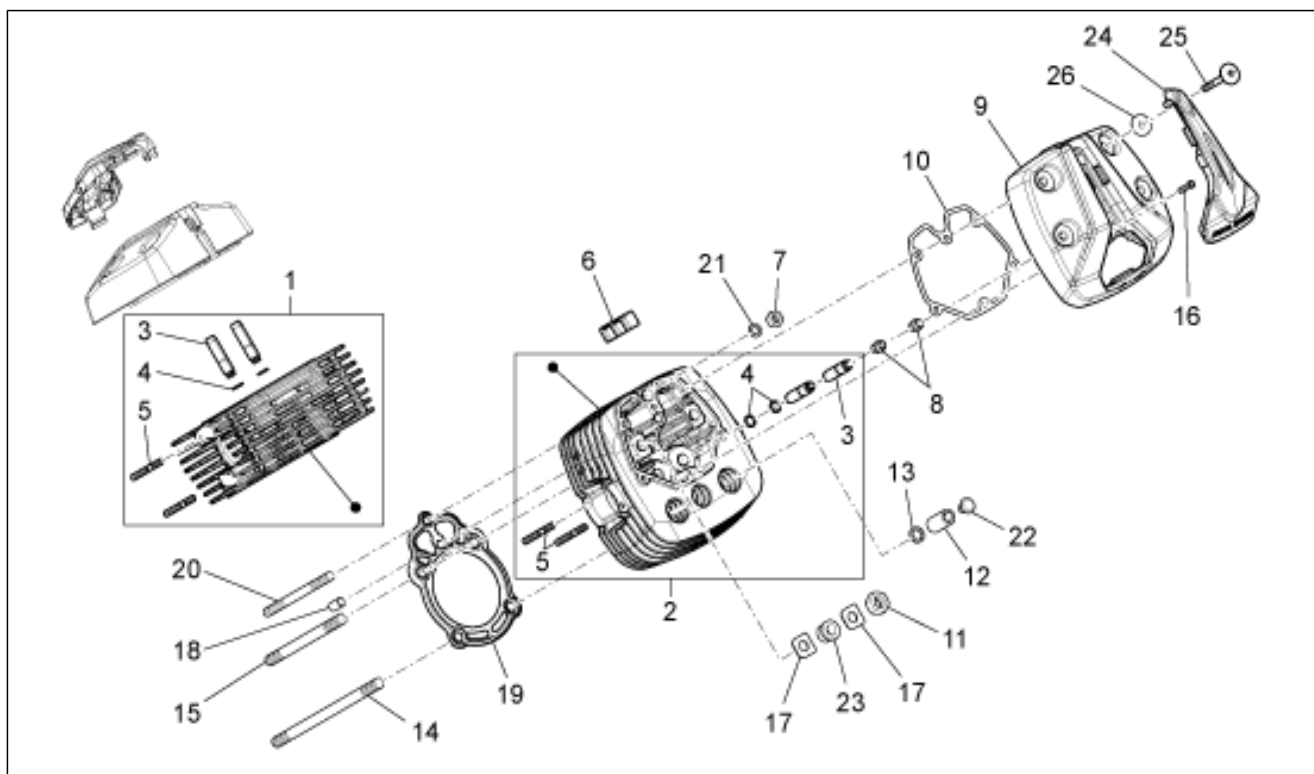
Pos.	Code	Beschrijving	Aant.	Varianten
1	976600	Onderstel motor zwart	1	
2	GU96451560	Stiftbout	4	
3	GU96451430	Stiftbout	4	
4	GU96508055	Stiftbout	2	
5	GU19015020	Beslagring	4	
6	GU61270300	Elastische sluitring 8x15x0,3	6	
7	GU92606208	Moer M8x1,25	6	
8	GU19003800	Verbinding	1	
9	GU90706076	OR-ring	2	
10	GU04000500	Dichtingsring	1	
11	GU98682325	Binnenzeskantbout M6x25	12	
12	976604	Oliecarter motor grijs	1	
13	887004	Pakking oliecarter	1	
14	GU31003766	Afvoerdop olie M10x1	1	
15	GU10528900	Pakking in aluminium	1	
16	976685	Bedekking	1	
17	GU90706444	OR-ring	1	
18	883826	Invoerdop olie	1	
19	GU90706281	OR-ring 28,24x2,62	1	
20	GU12003702	Afvoerdop olie	1	
21	GU95100709	Pakking 20,1x28x2	1	
22	GU27152885	Schroefbout	1	
23	GU12154200	Pakking 8,25x15x1	1	
24	GU32999510	Oliekeerringen-serie	1	
25	GU32999010	Pakkingen-serie	1	
26	GU13021900	Kolomv. moer	4	
27	GU95129180	Sluitring 10,5X18X0,8	4	
28	976991	Motor cpl. zonder versn.bak	1	

<b>Groep</b>	ENGINE
<b>Code</b>	34.35
<b>Beschrijving</b>	Timing system cover
<b>Revisie</b>	1



Pos.	Code	Beschrijving	Aant.	Varianten
1	976603	Bedekking distr. zwart	1	
2	887003	Pakking bedekking	1	
3	GU98682325	Binnenzeskantbout M6x25	10	
4	GU98682330	Binnenzeskantbout M6x20	2	
5	GU19002020	Beslagring 6,6x9x13	2	
6	GU32001610	Bedekking generator	1	
7	GU27001136	Flens bedekking alternator	1	
8	884039	Binnenzeskantbout M6x35	4	
9	GU90402842	Dichtingsring	1	
10	GU19007700	Rubbetje	1	

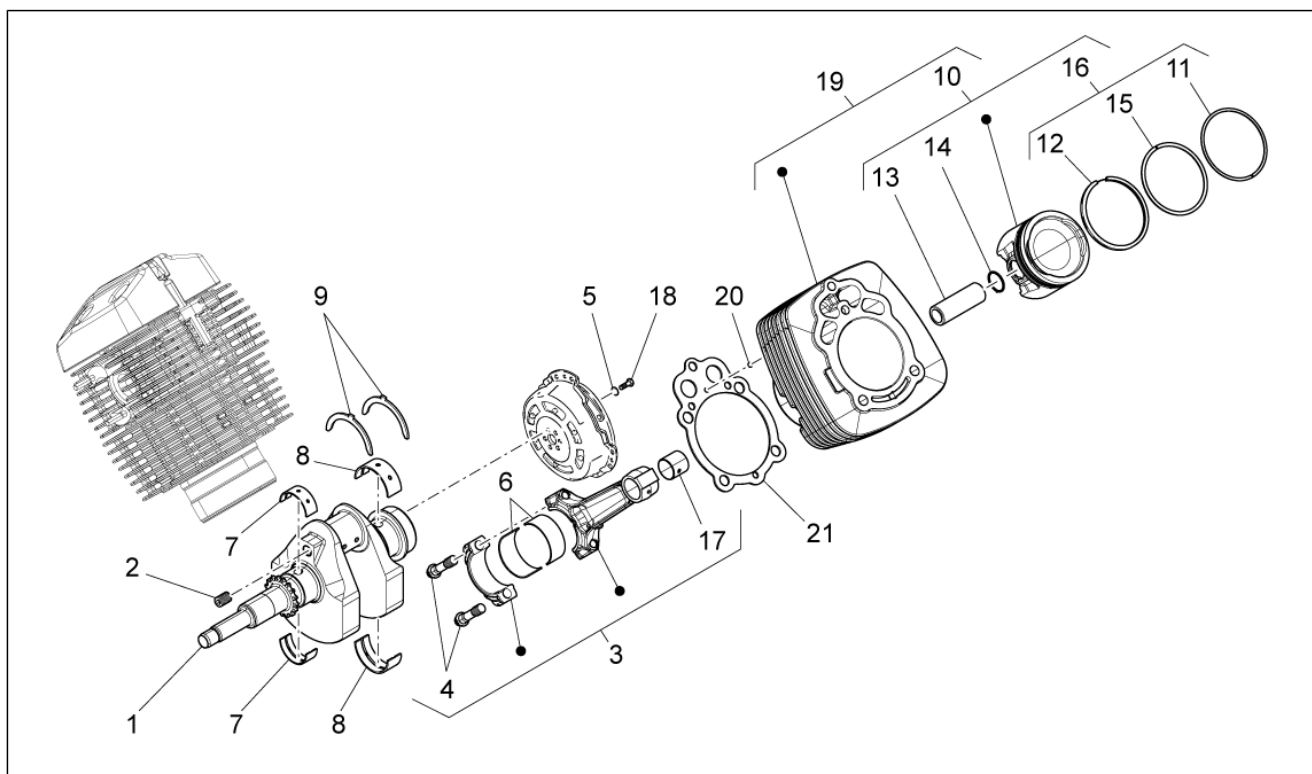
<b>Groep</b>	ENGINE
<b>Code</b>	34.36
<b>Beschrijving</b>	Cylinder head
<b>Revisie</b>	1



Pos.	Code	Beschrijving	Aant.	Varianten
1	8872724	Kop re	1	
2	8872754	Kop li	1	
3	GU61036801	Klepgeleider	4	
4	GU90353009	Elastische ring	4	
5	GU96506042	Stiftbout	4	
6	B063111	Tassello antivibrante	4	
7	GU19021920	Moer	2	
8	GU19037820	Oliekeerring	4	
9	887523	Kopdeksel	2	
10	887002	Pakking bedekking kop	2	
11	GU92603010	Moer M10X1,5	4	
12	GU13021900	Kolomv. moer	4	
13	GU95129180	Sluitring 10,5X18X0,8	4	
14	GU96510214	Stiftbout M10x214	4	
15	GU96510181	Stiftbout M10x182	4	
16	GU98692325	Binnenzeskantbout M6x25	4	
17	GU19032980	Dikte	8	
18	GU19021360	Beslagring	2	
19	B063099	Pakking kop-cilinder	2	
20	GU96508145	Stiftbout M8x143	2	
21	GU61270300	Elastische sluitring 8x15x0,3	2	
22	GU93180245	Dop	4	
23	AP8144071	Rubbertje uitlaat	1	
24	887279	Bedekking bougie	2	
25	887483	Vite coperchio testa M6x52.5	8	
26	969973	Sluitring	8	

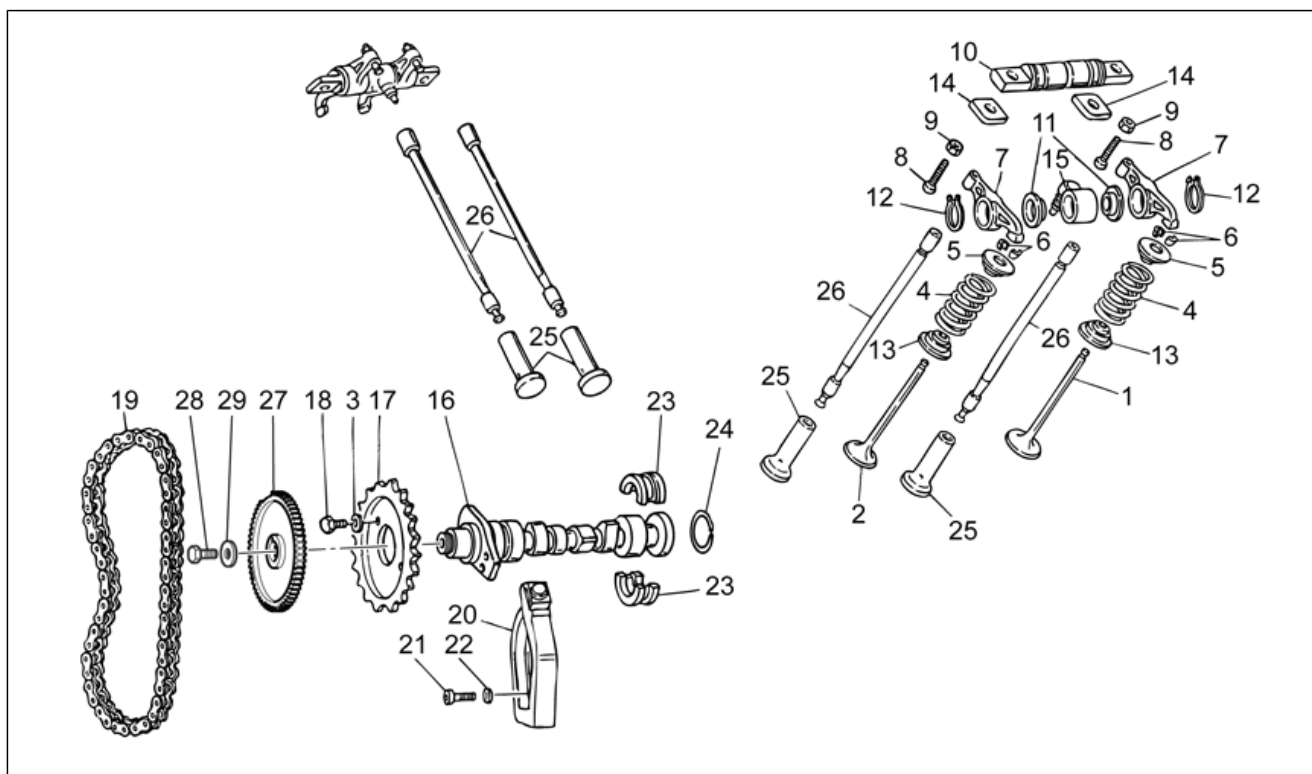


<b>Groep</b>	ENGINE
<b>Code</b>	34.37
<b>Beschrijving</b>	Crankshaft cpl.
<b>Revisie</b>	1



Pos.	Code	Beschrijving	Aant.	Varianten
1	GU320642104	Drijfjas cpl.	1	
2	GU19065400	Dop	1	
3	GU27061585	Drijfstang cpl.	2	
4	GU19062261	Bout	4	
5	GU14615901	Sluitring 8,4X13X0,8	6	
6	GU27062060	Halfdop kussenblok	4	
7	GU27065660	Halfdop kussenblok voor	2	
8	GU27066560	Halfdop kussenblok acht.	2	
9	GU27066460	Halfsluitring	2	
10	8872690001	[...]	1	
10	8872690002	***Piston assy	1	
10	8872690003	***Piston assy	1	
11	B063018	Holle elastische band 1e	2	
12	B063020	Band olieschaap	2	
13	B063016	Zuigerpen	2	
14	874567	Blokkeerring	4	
15	B063019	Holle elastische band 2e	2	
16	B063466	Kit elastische banden	2	
17	GU27061885	Beslagring	2	
18	GU19067700	Bout	6	
19	B063465	Cilinder met zuiger cpl.	2	
20	GU61027200	OR-ring	2	
21	886670	Cylinder gasket	2	

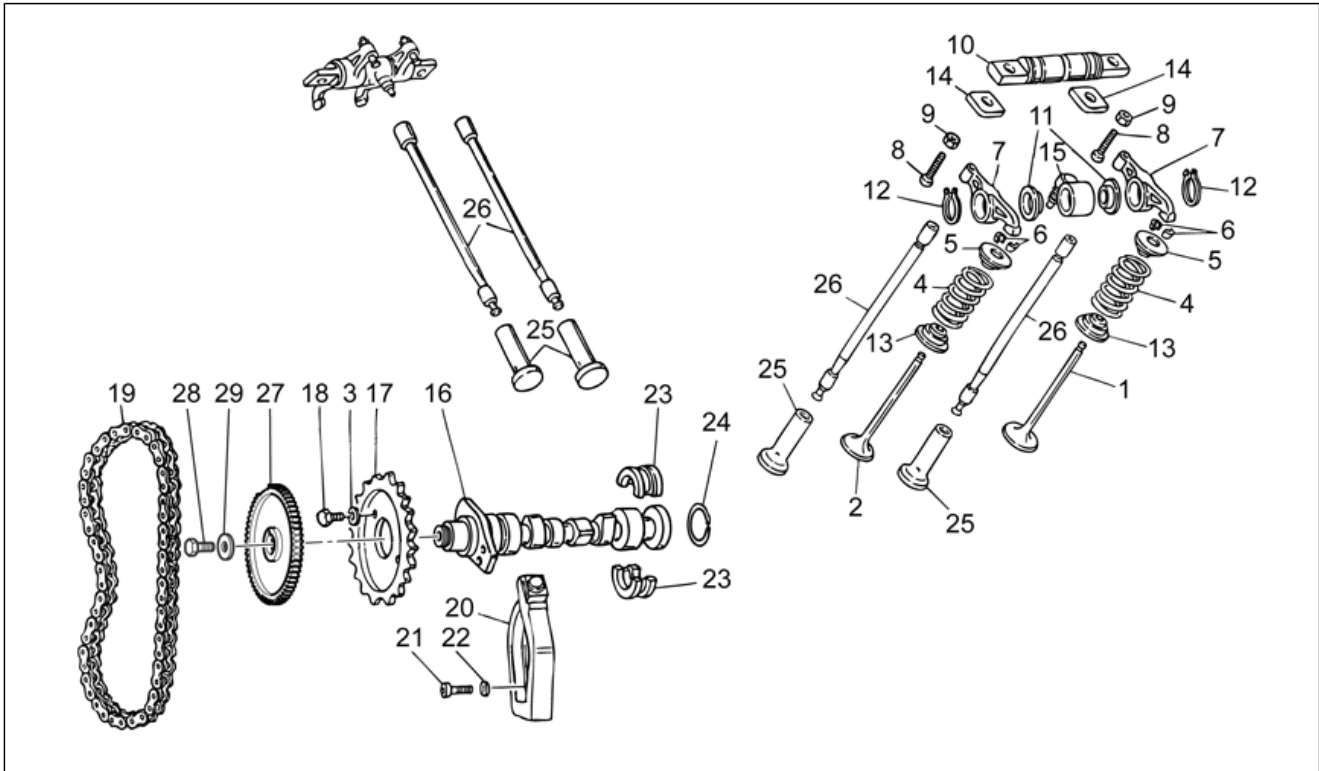
<b>Groep</b>	ENGINE
<b>Code</b>	34.38
<b>Beschrijving</b>	Timing system
<b>Revisie</b>	1



Pos.	Code	Beschrijving	Aant.	Varianten
1	GU20036020	Klep aanz.	2	
2	GU20036120	Klep uitl.	2	
3	GU23217800	Sluitring veiligheid	2	
4	GU27037521	Veer	4	
5	GU31038015	Schijf bov.	4	
6	GU61038100	Halfconus	8	
7	GU19030500	Balancerings	4	
8	GU19034000	Bout	4	
9	GU92602406	Moer M6x1	4	
10	GU19032080	Pin balancering	2	
11	GU32032310	Schraapring	4	
12	GU90271018	Seegerring	4	
13	GU31037015	Schijf ond.	4	
14	GU19032980	Dikte	4	
15	GU19027500	Mof	2	
16	GU32053410	Nokkenas	1	
17	GU32054510	Raderw.distrib.	1	
18	GU61054900	Schroefbout	2	
19	GU19058021	Distributieketting	1	
20	GU19058220	Kettingspanner distr.	1	
21	GU98882316	Bout	1	
22	GU95129115	Sluitring	1	
23	GU19055700	Sector blokk.	2	
24	GU90353029	Elastische ring	1	
25	GU19045861	Kleplicht.	4	
26	GU31045015	Staaft balancerings	4	
27	887528	Geluidswiel	1	
28	GU98054422	Bout M8x22	1	

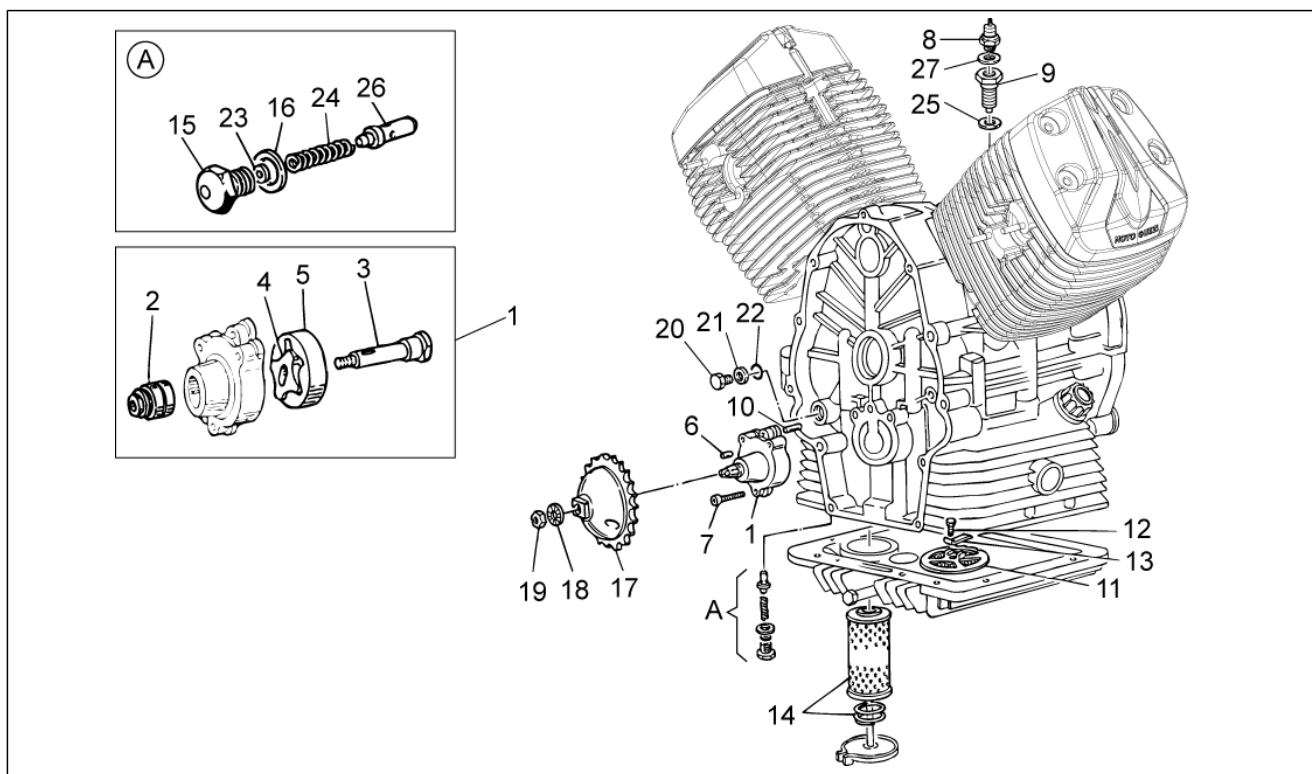


<b>Groep</b>	ENGINE
<b>Code</b>	34.38
<b>Beschrijving</b>	Timing system
<b>Revisie</b>	1



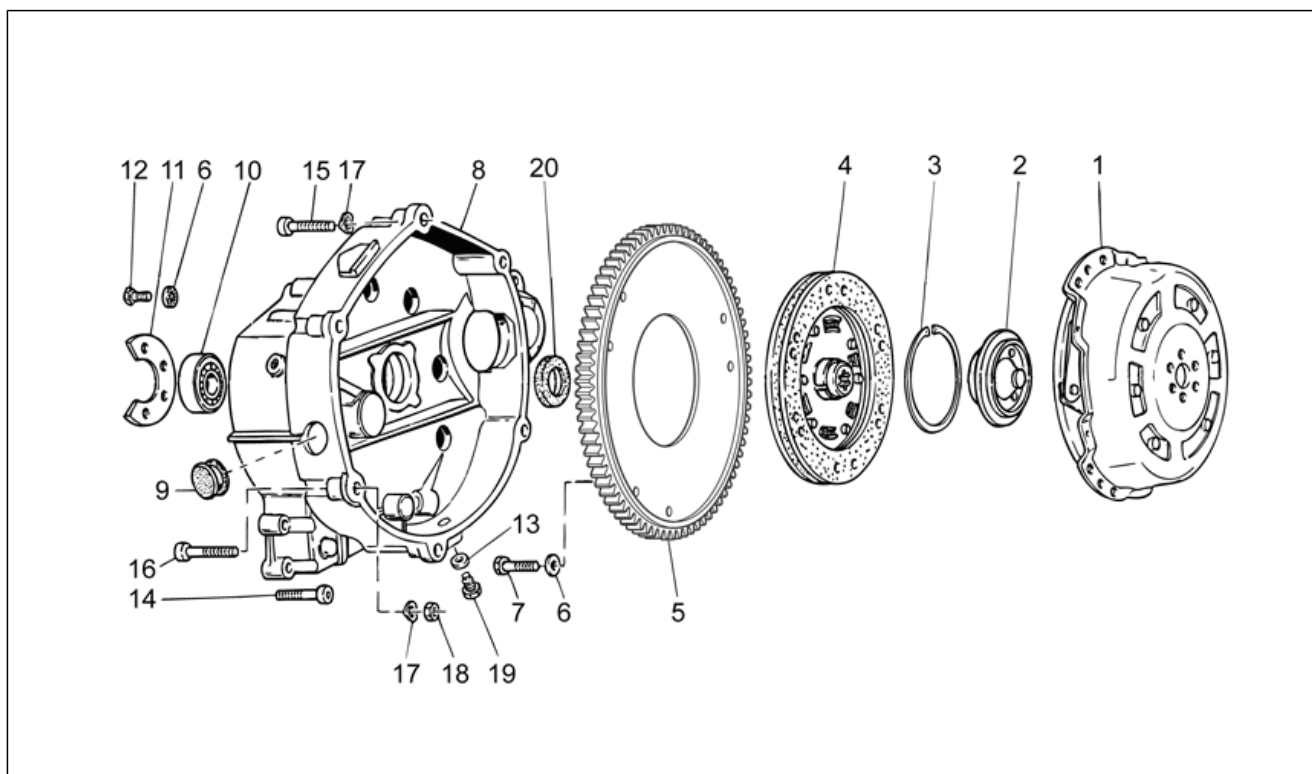
Pos.	Code	Beschrijving	Aant.	Varianten
29	GU95100244	Sluitring	1	

<b>Groep</b>	ENGINE
<b>Code</b>	34.39
<b>Beschrijving</b>	Oil pump
<b>Revisie</b>	1



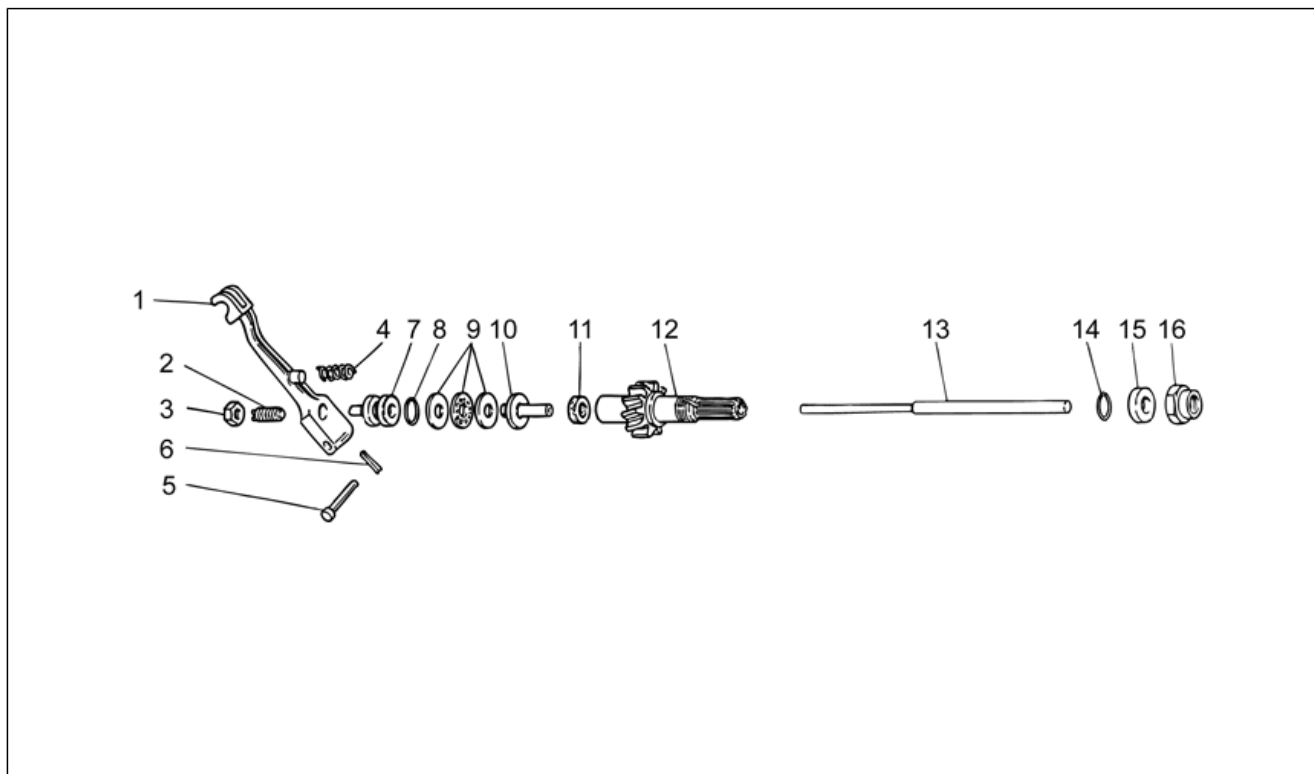
Pos.	Code	Beschrijving	Aant.	Varianten
1	GU19146422	Oliepomp	1	
2	GU92252210	Rollager 10x22x20	1	
3	GU20147810	As oliepom	1	
4	GU20148410	Rotor int.	1	
5	GU20148610	Rotor ext.	1	
6	GU92296723	Rol	1	
7	884039	Binnenzeskantbout M6x35	3	
8	641541	Oil pressure sensor	1	
9	887093	Verbinding zender	1	
10	GU19018920	Plug	2	
11	GU19152200	Oliefilter	1	
12	GU98084314	Zeskantbout M6x14	1	
13	GU95187006	Plaatje	1	
14	GU27153085	Oliefilter	1	
15	GU31159050	Dop	1	
16	GU18144350	Sluitring 18,25x24x1	3	
17	GU20147710	Raderw.pomp	1	
18	AP8152220	Gekart. sluitring	1	
19	GU92602510	Moer M10x1,25	1	
20	GU31016050	Dop	1	
21	GU18161150	Pakking in aluminium 14,25	1	
22	GU90706111	OR-ring	1	
23	GU95008206	Sluitring 6,15x11x0,8	3	
24	GU94321079	Veer	1	
25	GU95100602	Pakking	1	
26	GU31159050	Zuigertje	1	
27	GU95100309	Sluitring	1	

<b>Groep</b>	ENGINE
<b>Code</b>	34.40
<b>Beschrijving</b>	Clutch I
<b>Revisie</b>	1



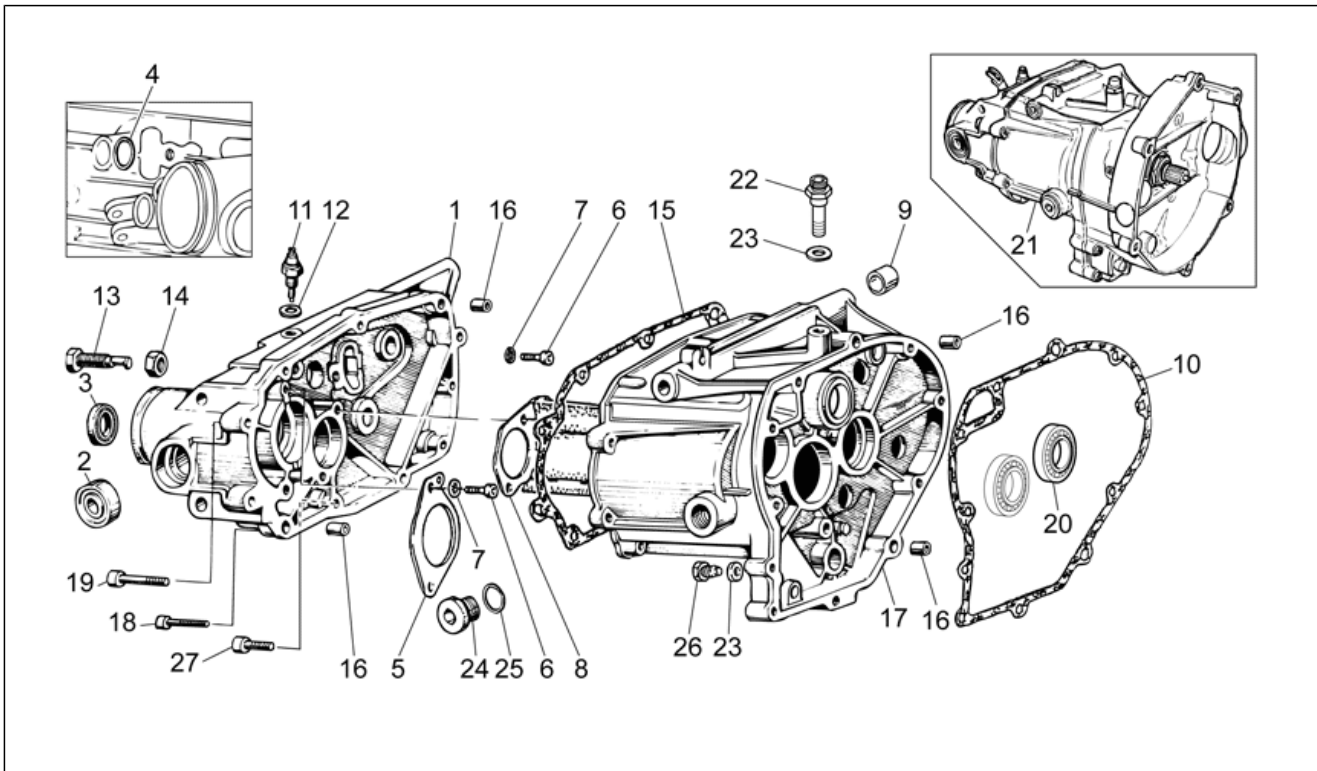
Pos.	Code	Beschrijving	Aant.	Varianten
1	GU32080310	Koppeling	1	
2	GU19083462	Plaatje koppeling	1	
3	GU90272075	Elastische ring	1	
4	GU32084410	Schijf koppeling geleid	1	
5	GU32067910	Kroon	1	
6	GU14217901	Gekart. sluitring 6,4x10x0,7	9	
7	884038	Zeskantbout M6x16	6	
8	981070	Koppelingsblok	1	
9	GU93180220	Dop	1	
10	GU92201225	Lager 25x52x15	1	
11	GU19203460	Bevestigingsplaat lager	1	
12	GU98084314	Zeskantbout M6x14	3	
13	GU10528900	Pakking in aluminium	1	
14	884032	Binnenzeskantbout M6x30	11	
15	GU98680435	Binnenzeskantbout M8x35	5	
16	GU98680450	Binnenzeskantbout M8x50	1	
17	GU61270300	Elastische sluitring 8x15x0,3	6	
18	GU92606208	Moer M8x1,25	1	
19	GU31003766	Afvoerdop olie M10x1	1	
20	AP9150435	Oliekeerring D32x45x6	1	
21	GU23204471	Getto per a.s.	1	
22	GU23204571	Getto per a.p.	1	

<b>Groep</b>	ENGINE
<b>Code</b>	34.41
<b>Beschrijving</b>	Clutch II
<b>Revisie</b>	1



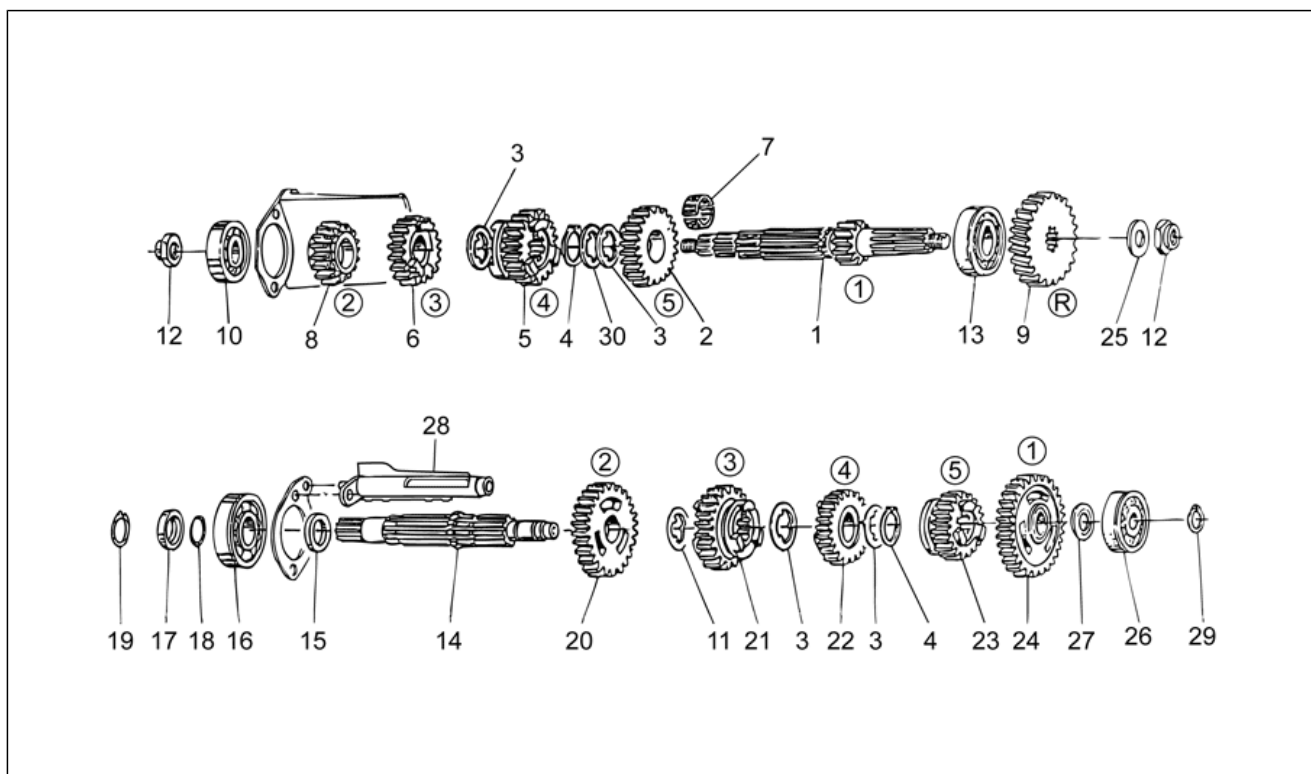
Pos.	Code	Beschrijving	Aant.	Varianten
1	GU14090201	Ontkoppelingshendel koppeling	1	
2	GU14090400	Registerbout	1	
3	GU92606508	Moer	1	
4	GU94321105	Trekveer hendel	1	
5	GU95780271	Plug 7x39	1	
6	GU95500222	Splitpen	1	
7	GU14086100	Externe romnp	1	
8	GU90706170	O-ring 17,13x2,62	1	
9	GU12087001	Lager drukst.	1	
10	GU14086000	Tussenromp	1	
11	GU90400616	Dichtingsring 6x16x7	1	
12	GU27210760	Overbrengingsas Z=16	1	
13	GU20085720	Staaaf schijfduwer	1	
14	GU90706235	O-ring 23,52x1,78	1	
15	GU19213760	Afstandhouder	1	
16	GU19356760	Veiligheidsmoer	1	

<b>Groep</b>	ENGINE
<b>Code</b>	34.42
<b>Beschrijving</b>	Transmission cage
<b>Revisie</b>	1



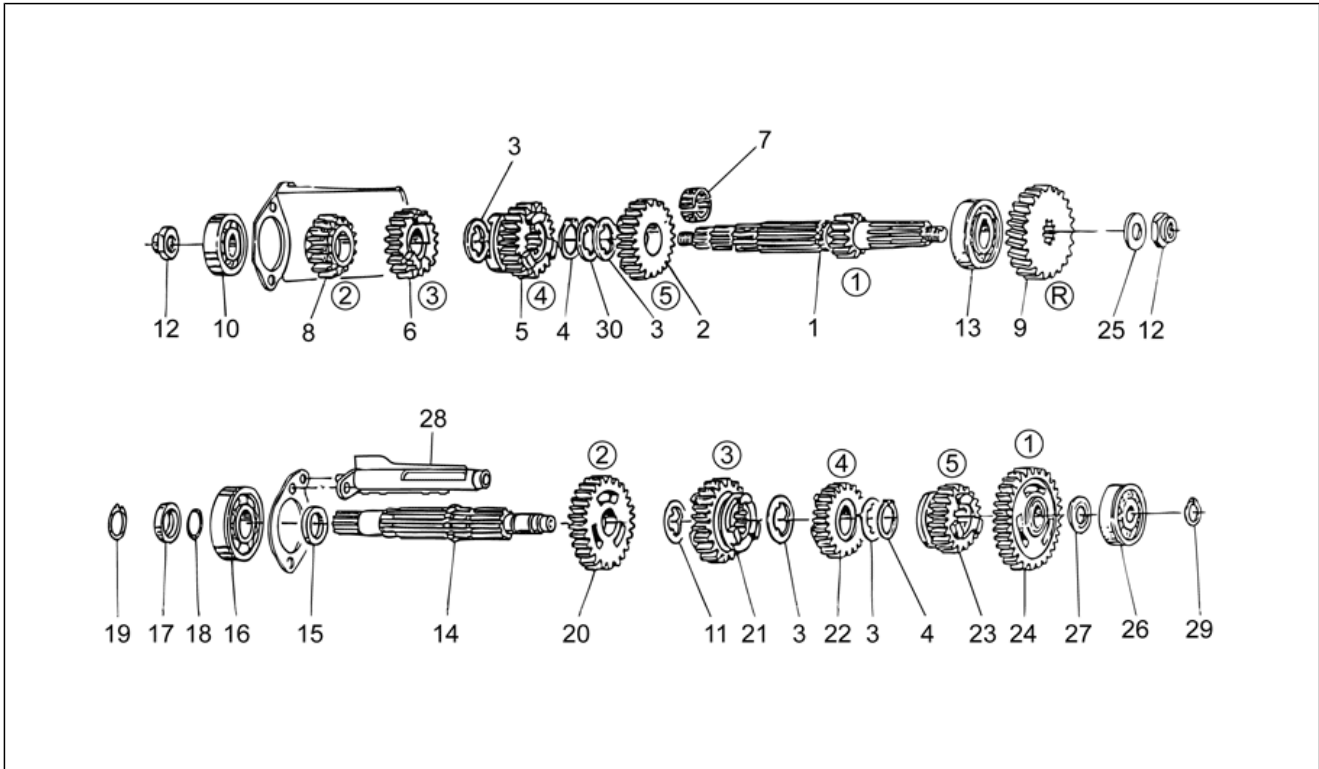
Pos.	Code	Beschrijving	Aant.	Varianten
1	887213	Bedekking vesnellingsbak	1	
2	GU92204215	Lager 15x35x11	2	
3	886364	Dichtingsring 28x40x7	1	
4	GU90706140	O-ring 13,95x2,92	1	
5	GU32213810	Bevest.plaat secund. as	1	
6	884031	Binnenzeskantbout M6x14	4	
7	GU14217901	Gekart. sluitring 6,4x10x0,7	4	
8	GU32208210	Wand olie	1	
9	GU19202320	Beslagring 10,25x15,7x8	2	
10	887005	Pakking	1	
11	B063269	Sensor vrij	1	
12	GU12154200	Pakking 8,25x15x1	1	
13	GU19237800	Bout met excentriek M12x1,25	1	
14	GU92606512	Moer laag M12x1,25	1	
15	887006	Pakking	1	
16	GU19002020	Beslagring 6,6x9x13	4	
17	887235	Doos versn.bak	1	
18	GU98682330	Binnenzeskantbout M6x20	5	
19	GU98680435	Binnenzeskantbout M8x35	4	
20	B063342	Kogellager 6004/C3	1	
21	976992	Versnellingsbak cpl.	1	
22	GU32206510	Dop ontluchting	1	
23	GU10528900	Pakking in aluminium	2	
24	GU12022600	Oliedop	1	
25	GU90706203	OR-ring 20,24X2,62	1	
26	GU31003766	Afvoerdop olie M10x1	1	
27	AP8150285	Binnenzeskantbout M6x35	2	

<b>Groep</b>	ENGINE
<b>Code</b>	34.43
<b>Beschrijving</b>	Gear box
<b>Revisie</b>	1



Pos.	Code	Beschrijving	Aant.	Varianten
1	GU32210510	Primaire as Z=11	1	
2	GU32212011	Raderwerk 5a AP Z=25	1	
3	GU19215460	Schraapring	3	
4	GU90271124	Seegerring	2	
5	GU32211810	Raderwerk 4a AP Z=18	1	
6	GU32211410	Raderwerk 3a AP Z=18	1	
7	GU92251028	Rollenkooi	1	
8	GU23211372	Raderwerk 2a AP Z=14	1	
9	GU32211110	Raderw. overbrenging AP Z=21	1	
10	GU92218417	Lager AP 17x40x17,5	1	
11	GU19214660	Steunende sluitring	2	
12	GU10054100	Veiligheidsmoer	2	
13	GU92230320	Lager AP 20x37x17	1	
14	GU32213610	Secundaire as	1	
15	GU19212900	Afstandhouder	1	
16	GU92201220	Lager 20X47X14	1	
17	GU19213720	Afstandhouder	1	
18	GU90706188	Dichtingsring 18,77X1,78	1	
19	GU90271121	Seegerring	1	
20	GU32214510	Raderwerk 2a AS Z=23	1	
21	GU32214810	Raderwerk 3a AS Z=23	1	
22	GU32215010	Raderwerk 4a AS Z=19	1	
23	GU32215210	Raderwerk 5a AS Z=22	1	
24	GU32214010	Raderwerk 1a AS Z=26	1	
25	GU39238100	Steunende sluitring	1	
26	GU92234716	Lager	1	
27	GU10214300	Dikte 1,5 mm	1	
27	GU10214301	Dikte 1,7 mm	1	

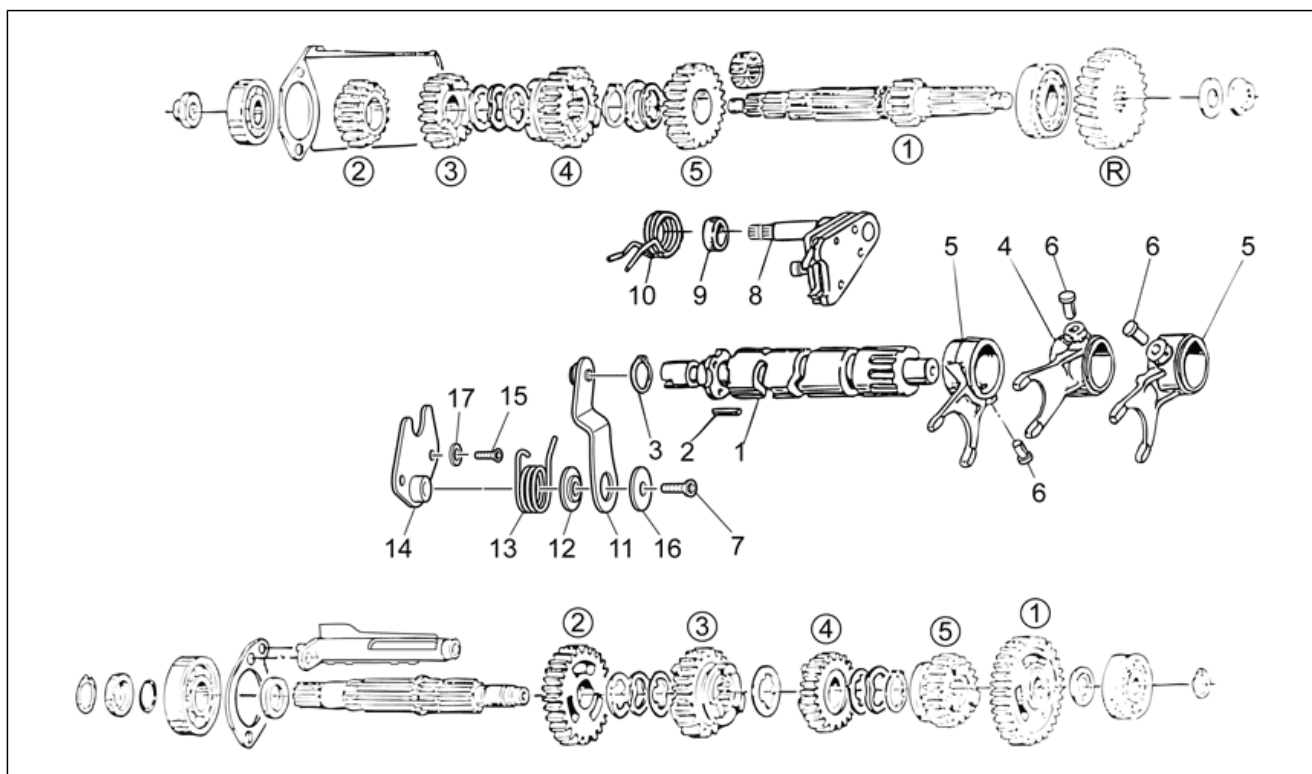
<b>Groep</b>	ENGINE
<b>Code</b>	34.43
<b>Beschrijving</b>	Gear box
<b>Revisie</b>	1



Pos.	Code	Beschrijving	Aant.	Varianten
27	GU10214302	Dikte 1,8 mm	1	
27	GU10214303	Dikte 1,9 mm	1	
27	GU10214304	Sluitring 2 mm	1	
27	GU10214305	Dikte 2,1 mm	1	
28	GU32202010	Druiper	1	
29	GU90271117	Seegerring	1	



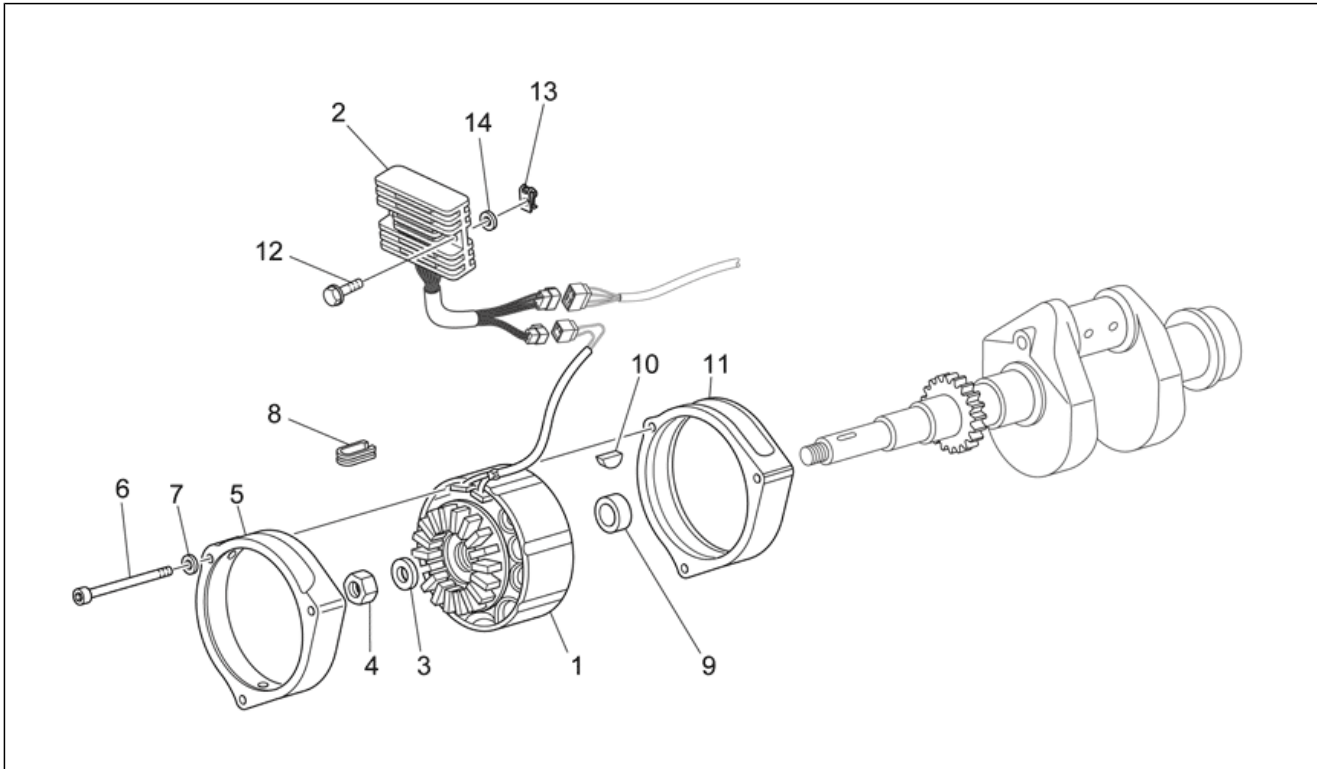
<b>Groep</b>	ENGINE
<b>Code</b>	34.44
<b>Beschrijving</b>	Gear box selector
<b>Revisie</b>	1



Pos.	Code	Beschrijving	Aant.	Varianten
1	GU32234410	Shift cam	1	
2	GU19234600	Pin	4	
3	GU90274026	Elastische ring	1	
4	GU32231210	Vork AP	1	
5	GU32231010	Vork AS	2	
6	GU32233010	Rol	3	
7	GU98230612	Bout	1	
8	887196	Voorschakelaar cpl.	1	
9	GU20208520	Afstandhouder	1	
10	GU32238210	Trekveer schakelaar	1	
11	GU32234710	Hendel	1	
12	GU32234810	Sluitring	1	
13	GU32234110	Veer	1	
14	GU32235710	Plaat	1	
15	GU98257618	Bout	2	
16	GU32234910	Sluitring 6,4x20x1	1	
17	GU14217901	Gekart. sluitring 6,4x10x0,7	2	

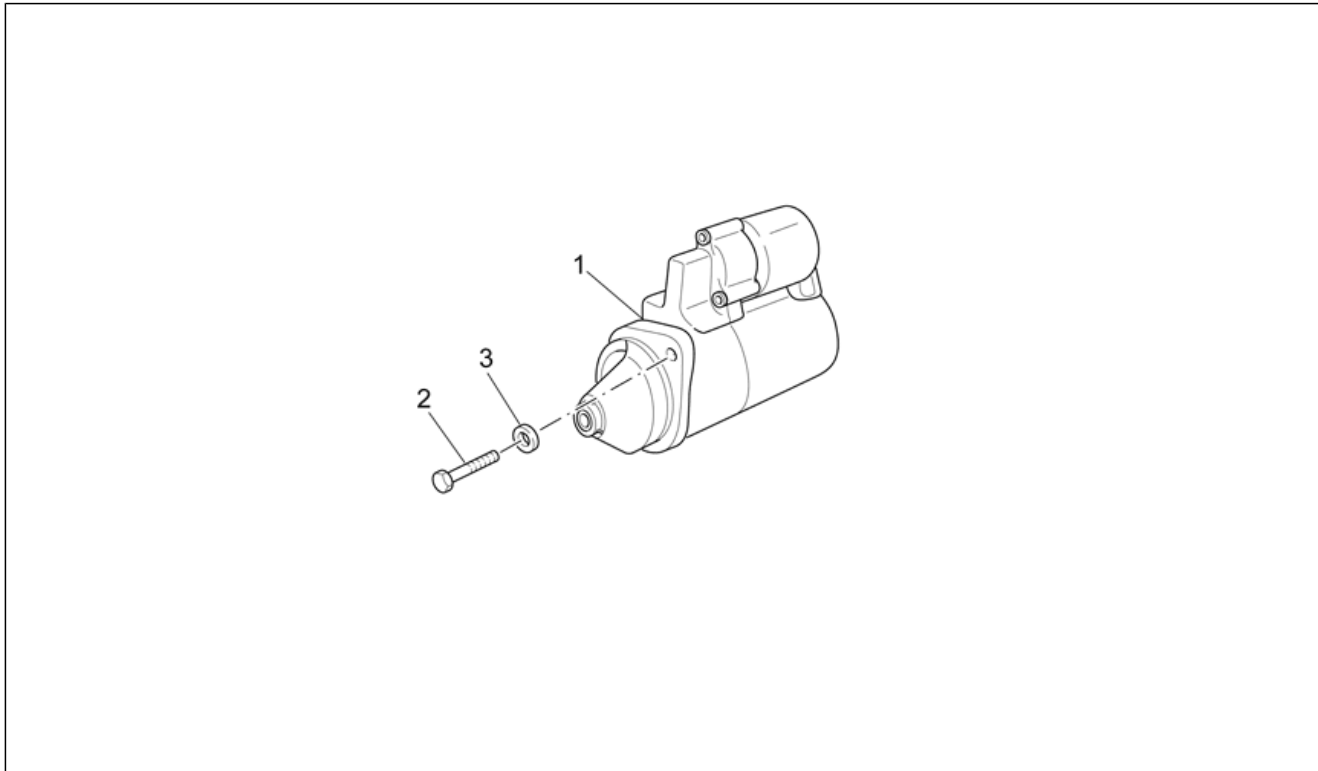


<b>Groep</b>	ENGINE
<b>Code</b>	34.45
<b>Beschrijving</b>	Generator - Regulator
<b>Revisie</b>	1



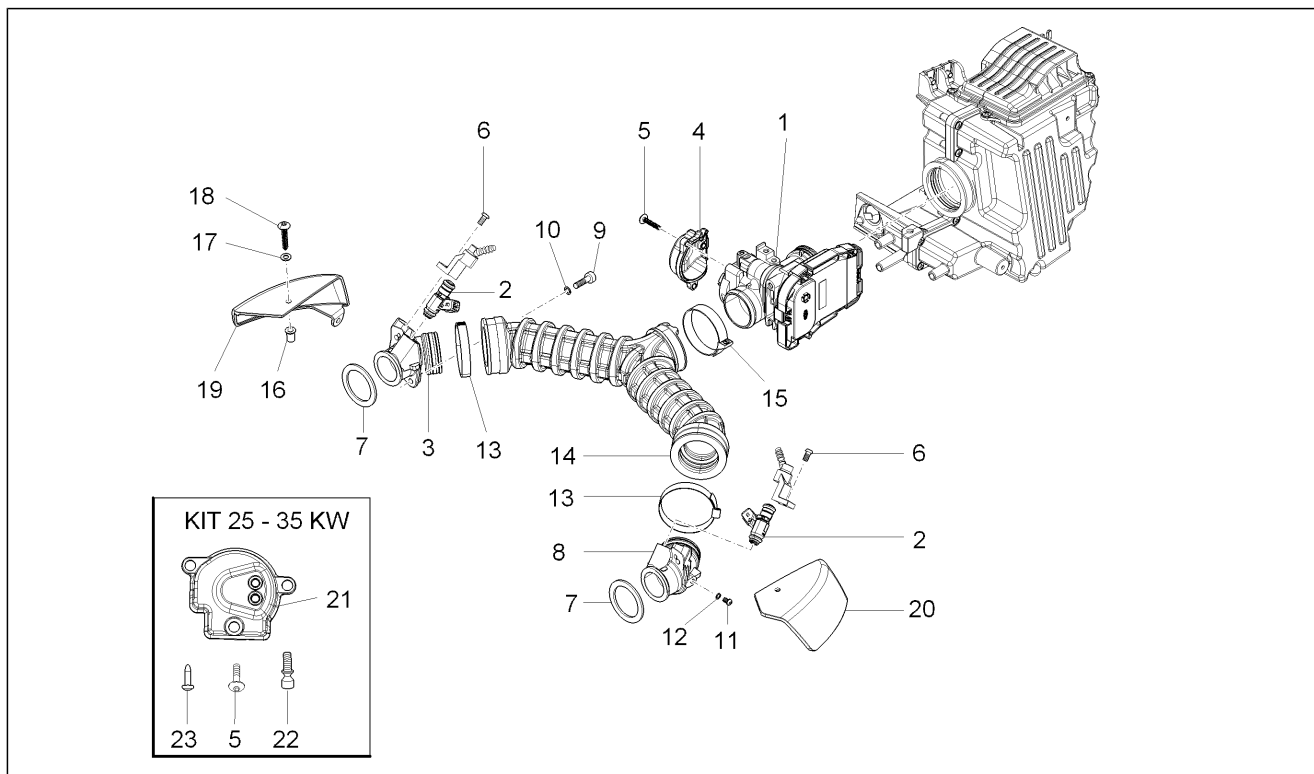
Pos.	Code	Beschrijving	Aant.	Varianten
1	883877	Alternator	1	
2	883878	Spanningsregelaar 35A	1	
3	GU30714201	Sluitring 16,25x24,5x5	1	
4	GU92606516	Moer M16	1	
5	GU29711460	Kap voor.	1	
6	GU98680265	Binnenzeskantbout	3	
7	GU29217960	Sluitring 5,9X3X0,8	3	
8	GU19007700	Rubbertje	1	
9	GU31712365	Afstandhouder	1	
10	887044	Lipje 4x5	1	
11	GU29711960	Kap acht.	1	
12	AP8152281	Zeskantbout geflenst M6x30	2	
13	254485	Spring plate M6	2	
14	GU95100125	Sluitring	2	

<b>Groep</b>	ENGINE
<b>Code</b>	34.46
<b>Beschrijving</b>	Starter motor
<b>Revisie</b>	1



Pos.	Code	Beschrijving	Aant.	Varianten
1	GU05730730	Startmotor Bosch	1	
2	GU98682435	Binnenzeskantbout	2	
3	GU95008208	Sluitring 8,4X15X1,5	2	

<b>Groep</b>	ENGINE
<b>Code</b>	34.47
<b>Beschrijving</b>	Throttle body
<b>Revisie</b>	1



Pos.	Code	Beschrijving	Aant.	Varianten
1	CM228301	Centralina elettronica per iniezione	1	LAND:Australia[AUS], Canadian[CDN], europa[EU], Great Britain[UK], United States of America[USA]
1	CM228302	Centralina elettronica per iniezione	1	LAND:Japan[J]
2	B063049	Injector	2	
3	GU32115010	Pijp aanz. re	1	
4	880260	Bescherming romp v.	1	
5	875173	Vite testa bombata torx	3	
6	AP8152298	Bolbout met binnenzeskant, geflenst M5x16	2	
7	GU32115510	Pakking	2	
8	GU32115011	Pijp aanz. li	1	
9	GU98682322	Binnenzeskantbout M6x22	4	
10	GU03013800	Sluitring 6,4x12	4	
11	GU98310609	Bout M6x10	2	
12	GU95100116	Sluitring 6,25x10x1,5	2	
13	GU93305057	Klemmetje 57x59,5x10	2	
14	887812	Mof smoorklep huis	1	
15	GU93305061	Klemmetje 61/65,5	1	
16	GU93231605	Huls antitrilling	4	
17	GU30577800	Sluitring in nylon 5,5X12X1	4	
18	GU98370515	Bout	4	
19	978938	Bedekking re verchr.	1	
20	978939	Bedekking li verchr.	1	
21	B063840	Bescherming romp v. 25-35 KW	1	
22	B063853	Trekbout	1	
23	AP8220488	Paddestoel v. rubber tje	1	